

Technologically advanced & super efficient, Explore is the ultimate choice of underwater light series.

KEY FEATURES



5,000*
Fixture Lumens



90°
Top Beam



20°
Side Beam



Rectangular
Beam

COLOUR PART#



Ultra White
E3009W



Midnight Blue
E3009B



Dual White/Blue
E3009BW

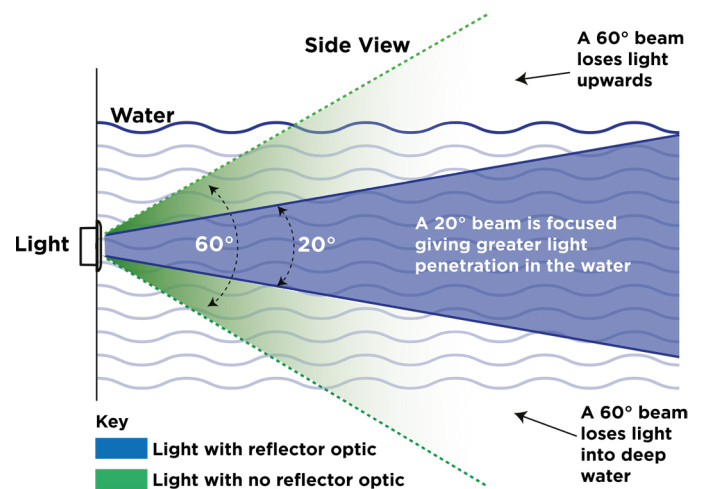


Colour Scroll
E3009CS

The Explore E3 has the most advanced optics available on the market. These optics are designed exclusively by OceanLED and offer a truly striking 90° surface beam angle with a focused 20° side beam producing a blade of light under the water that penetrates further, illuminating a larger area with minimal loss.

The ultra low profile outer face of the housing is designed for vessels wanting to go fast and have no impact on speed or flow of water over the hull, perfect for the sides or running surfaces.

- Superior light distribution due to advanced, new generation optics.
- Available in single, dual or full RGBW colour scroll models.
- In built driver for easy installation.



* Ultra White measurement

5,000 FIXTURE LUMENS

Best-in-class performance from this ultra-bright light makes it the obvious choice for those who want to stand out from the crowd.

90°/20° BEAM ANGLE

A true wide-angled, focused beam lights up a large area of water, flooding it with light.

COMPACT DESIGN & BUILT IN DRIVER

The compact size and built in driver mean less space is required inside the vessel, allowing installation in tight areas.

REDUCED INSTALLATION TIME

All aspects of this design make installation quicker and simpler.

SIMPLE TOGGLE CONTROL

Changing to Fish-Strobe or selecting a colour on the RGBW model is a simple toggle of the power switch.

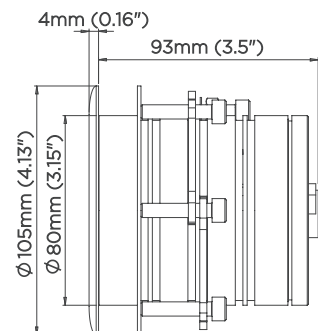
FISH-STROBE MODE

Exceptionally bright, randomised strobing of the light is proven to attract more bait and catch more fish.

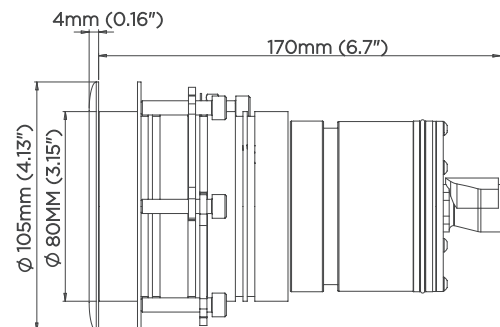
SAME LIGHT OUTPUT AS SPORT SERIES

E3 can be mixed with Sport series lights. Sport can be used on transom and E3 along the sides where flush mount is preferred.

LIGHT ENGINE INSTALLED



LIGHT ENGINE WITHDRAWN



EXPLORE E3 SPECIFICATIONS

BOX CONTENTS - E3009 VARIATIONS

Explore E3 Light Cartridge, Mounting Tube & Clamping Kit

1.5m DC Power Cable & In-line Fuse Kit

Removal Tool

Install Guide

ACCESSORIES	PART
4 Way V DC Power Junction Box	019901
Explore AC Power Kit	019904
Delrin Sleeve	001-500638
Mounting Tube Extension Kit	019905

MOUNTING RECOMMENDATIONS

Boat size	
Transom / Hull spacing	0.5-1.2m (2-4')
Installation depth below waterline	25-30cm (10-12")

TECHNICAL

Lumens (Single Colour)	10,000
Lumens (Dual Colour)	8,500
Lumens (Colour Scroll)	5,600
Fixture Lumens (Single Colour)	*5,000
Fixture Lumens (Dual Colour)	*3,500
Fixture Lumens (Colour Scroll)	*3,000
Min-Max Operating voltage DC	9-32V DC
Current / Amp draw (12V DC / 24V DC):	
Single Colour	5.5A / 2.4A
Dual Colour	3.6A / 1.7A
Colour Scroll	5.5A / 2.4A
Min-Max Operating voltage AC (Optional)	100V - 240V AC
Current / Amp draw (110V AC / 230V AC):	
Single Colour	620mA / 290mA
Dual Colour	430mA / 210mA
Colour Scroll	620mA / 290mA
Driver type	Internal

PHYSICAL

Total weight	1.2kg (2.65lbs)
Total Diameter (Including Flange)	105mm (4.13")
Diameter Of Body	80mm (3.15")
Profile Of Fixture	4mm (0.16")
Length	97mm (3.8")
Minimum Space Required Inside The Hull	170mm (6.55")
Hole Cut-Out	83mm (3.25")
Material (Mounting Tube)	AB2 Aluminium Bronze
Material (Light Body)	Aluminium

APPROVALS

RINA (Pending)	
ABS (Pending)	

*Fixture Lumens rating is a measurement of total white light output from a complete (as sold) light fixture using laboratory standard, calibrated photometric measuring equipment.

Discover other marine lighting on our website.