

Octopus hydraulic gear pump

HIGH EFFICIENCY - Industry leading efficiency minimizes power consumption

LOW NOISE - New industry design offers significantly quieter operation

LIGHTWEIGHT & COMPACT - Small footprint offers greater installation flexibility

WIDE RANGE OF PRODUCTS - from 600 to 1600cc/min, 12v and 24v options



the professional choice...

...when performance is everything

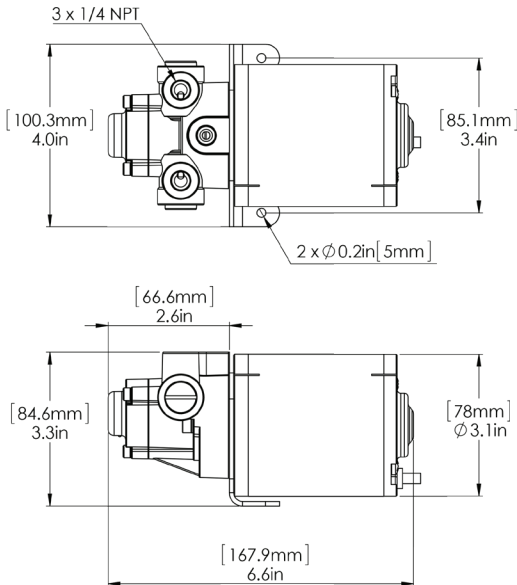


PROFESSIONAL SOLUTIONS FOR HYDRAULICALLY STEERED BOATS

From the design team that brought you the legendary Octopus hydraulic drives, our new gear pump offers industry leading reliability and performance in a smaller, lighter, quieter package.

- Industry leading efficiency - lower power consumption, particularly under demanding conditions requiring higher flow rates equates to a major advantage over competing units.
- Cost saving - the increased efficiency and performance means the pumps can be used with smaller autopilot course computers than equivalent drive units.
- The smaller footprint of the compact gear pump increases installation flexibility.
- Lower noise and vibration make the gear pump particularly suitable for sailboat installations.
- Suitable for balanced or unbalanced cylinders.
- All models available for both 12v and 24v systems.

DIMENSIONS & SPECIFICATION



PART NO.	FLOW RATE	VOLTAGE	CYLINDER RANGE	AVERAGE CURRENT DRAW
OCTAFG0612	600CC/min	12 VOLT	6-9ci CYLINDER	3.8A
OCTAFG0624	600CC/min	24 VOLT	6-9ci CYLINDER	1.5A
OCTAFG1012	1000CC/min	12 VOLT	10-15ci CYLINDER	5A
OCTAFG1024	1000CC/min	24 VOLT	10-15ci CYLINDER	2.2A
OCTAFG1612	1600CC/min	12 VOLT	16-24ci CYLINDER	6.6A
OCTAFG1624	1600CC/min	24 VOLT	16-24ci CYLINDER	3A

OPERATING TEMPERATURE	-15 to +75°C (5 - 167°F)
WATERPROOFING	IP55
IGNITION PROTECTION	ISO 8846 & SAEJ1171
EMC COMPLIANCE	EN60945-9-2002

ACCESSORIES



OC17SUK42

2.5ft hose and fitting kit