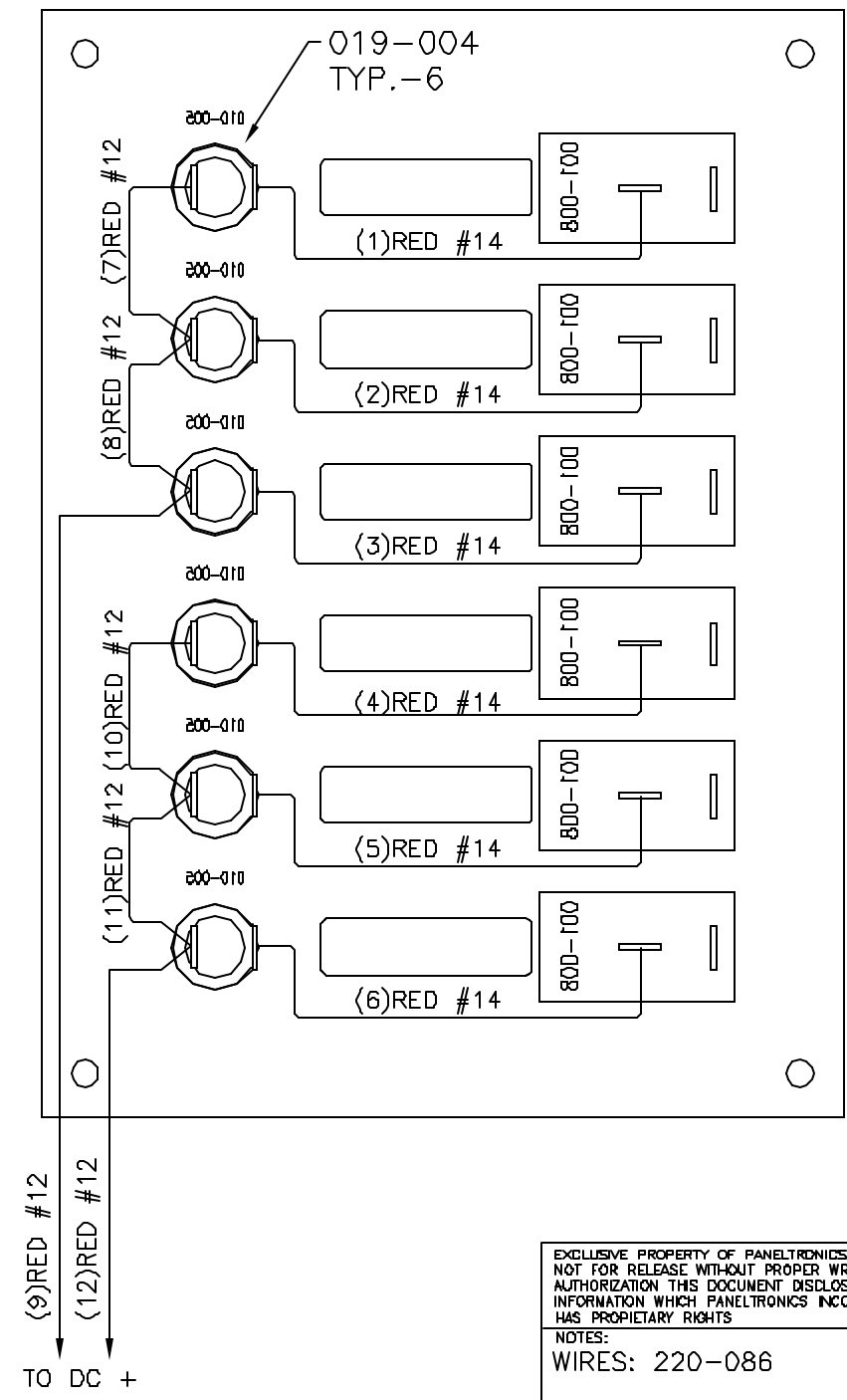


REVISIONS				
REV	DESCRIPTION	ECN	BY	DATE
0	INITIAL RELEASE; RELEASE DRAWINGS TO PRODUCTION	2005107	EA	4/27/05
1	Removed wire leg from panel and created as a new P/N	2005162	KP	5/23/05



Learn more about electrical distribution on our website.

<small>EXCLUSIVE PROPERTY OF PANELTRONICS, INC. NOT FOR RELEASE WITHOUT PROPER WRITTEN AUTHORIZATION THIS DOCUMENT DISCLOSES INFORMATION WHICH PANELTRONICS INCORPORATED HAS PROPRIETARY RIGHTS</small>					
NOTES: WIRES: 220-086			REAR VIEW SWITCH PANEL 6 POSITIONS		
MATERIAL:					
DRAWN BY: EA	DATE: 04/27/05	CUSTOMER: PANELTRONICS			
SHEET: 2 of 2	SCALE: 1:1	SIZE: B	SERIES/MODEL:	DRAWING #: 9960002	REV: 1