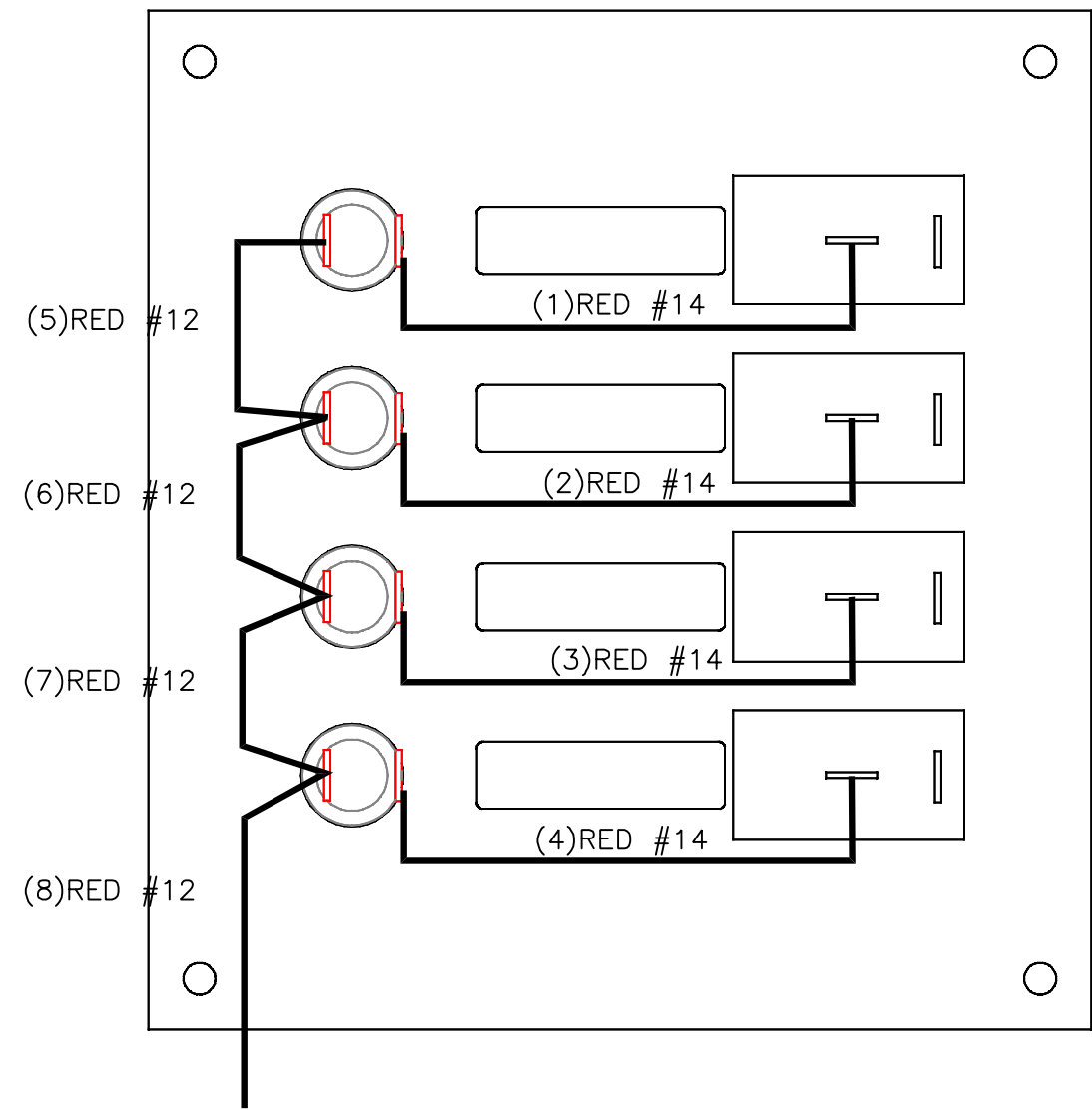


REVISIONS				
REV	DESCRIPTION	ECN	BY	DATE
0	INITIAL RELEASE	----	KP	7/13/05
1	REMOVED WIRE LEG FROM PANEL AND CREATED AS NEW P/N	2005178	KP	7/13/05



Learn more about electrical distribution on our website.

EXCLUSIVE PROPERTY OF PANELTRONICS, INC. NOT FOR RELEASE WITHOUT PROPER WRITTEN AUTHORIZATION THIS DOCUMENT DISCLOSES INFORMATION WHICH PANELTRONICS INCORPORATED HAS PROPRIETARY RIGHTS			<b><i>PANELTRONICS</i></b>		
NOTES: WIRES: 220-165			REAR VIEW DC 4 POSITIONS TOGGLE SWITCH		
MATERIAL:					
DRAWN BY: KP	DATE: 7/13/05	CUSTOMER: PANELTRONICS			
SHEET: 2 OF 2	SCALE: 1:1	SIZE: B	SERIES/MODEL: CAT	DRAWING #: 9960005	REV: 1