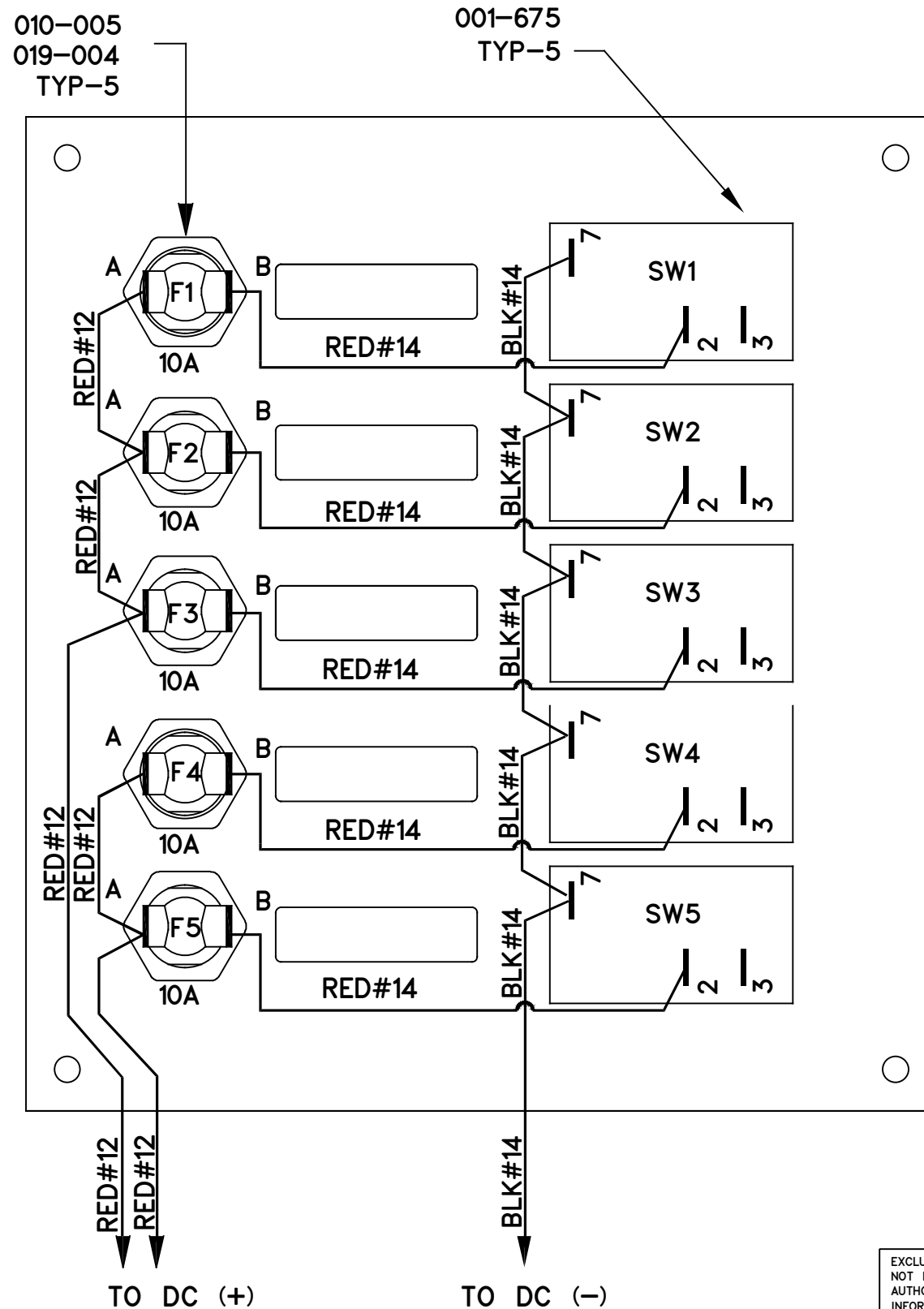


REVISIONS

REV	DESCRIPTION	ECN	BY	DATE
4	ADDED SEAL TO SWITCHES & WATERPROOF LABEL TO CLAM PACK PANELS	2004234	TG	10/26/04
5	REMOVED WIRE LEG FROM PANEL AND CREATED AS NEW P/N	2005265	KP	11/23/05
6	CHANGED MOUNTING SCREWS FROM 197-965 TO 197-155	2005291	MMG	12/12/05



Learn more about electrical distribution on our website.

EXCLUSIVE PROPERTY OF PANELTRONICS, INC. NOT FOR RELEASE WITHOUT PROPER WRITTEN AUTHORIZATION THIS DOCUMENT DISCLOSES INFORMATION WHICH PANELTRONICS INCORPORATED HAS PROPRIETARY RIGHTS		
NOTES: WIRES: 220-283		
MATERIAL:		
DRAWN BY: TG	DATE: 02/10/03	CUSTOMER: PANELTRONICS
SHEET: 2 OF 2	SCALE: 1:1	SIZE: B
SERIES/MODEL: CAT		DRAWING #: 9960007
		REV: 6

**PANELTRONICS**

REAR VIEW  
PNL, SWITCH ROCK 5 POSIT

PANELTRONICS

9960007

6