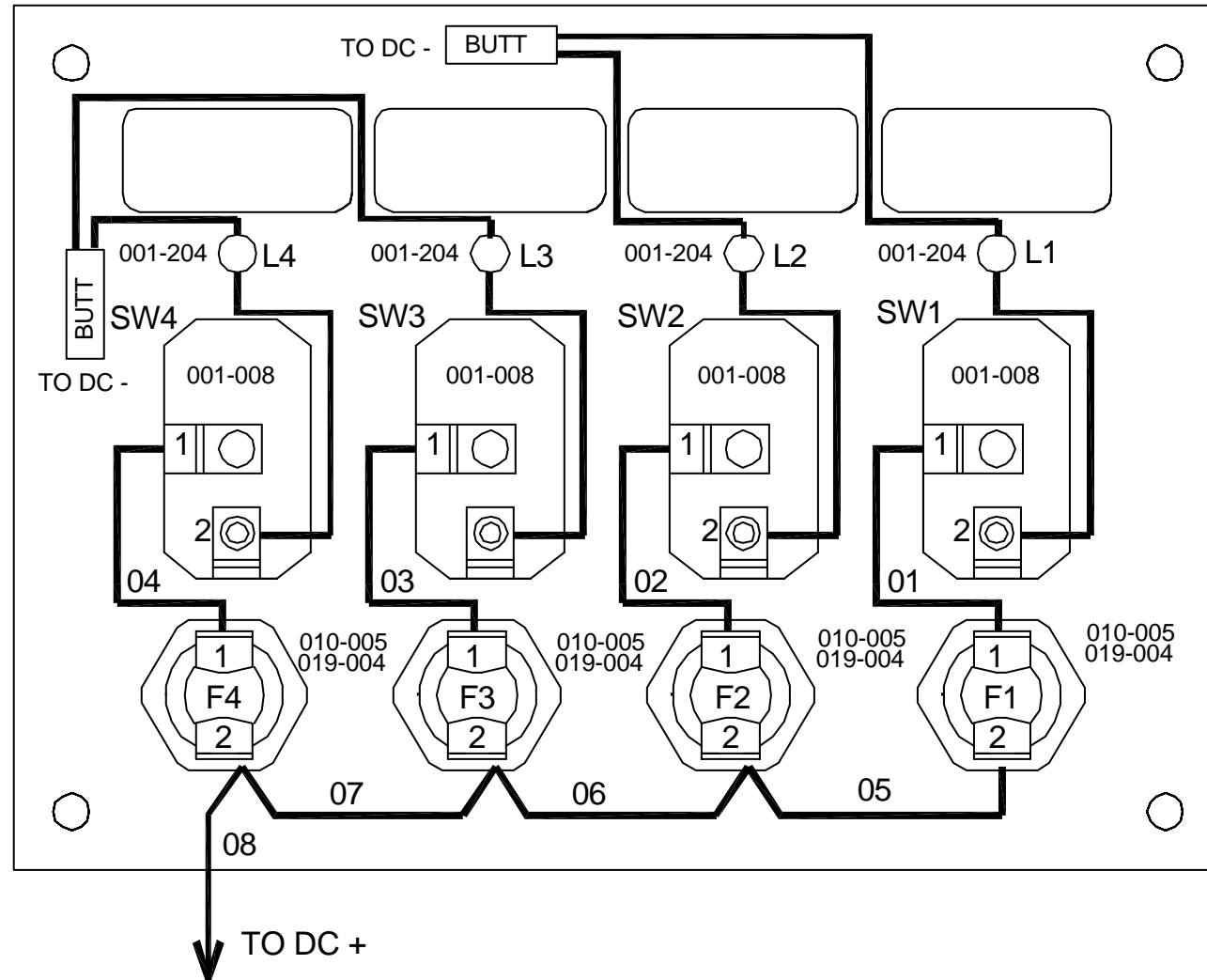


REVISIONS

REV	DESCRIPTION	DATE	APPROVED
1	CHANGE BUTT & FIX DWG	10/19/01	2001283
2	FIX LED NEG WIRES	09/18/02	2002436



EXCLUSIVE PROPERTY OF PANELTRONICS, INC.  
 NOT FOR RELEASE WITHOUT PROPER WRITTEN  
 AUTHORIZATION THIS DOCUMENT DISCLOSES  
 INFORMATION WHICH PANELTRONICS INCORPORATED  
 HAS PROPRIETARY RIGHTS



Notes:  
**USE LOW PROFILE FUSEHOLDER**  
 -----

**REAR VIEW  
 DC FOUR SWITCH PANEL**

Drawn By: **TG** Date: **11/10/00**

Revised By: **TG** Date: **9/18/02**

Series/Model: **CAT** Item:

Sheet:	Scale:	Size:	DWG/Part #:	Rev:
<b>2 OF 2</b>	<b>1:1</b>	<b>A</b>	<b>9960008</b>	<b>2</b>