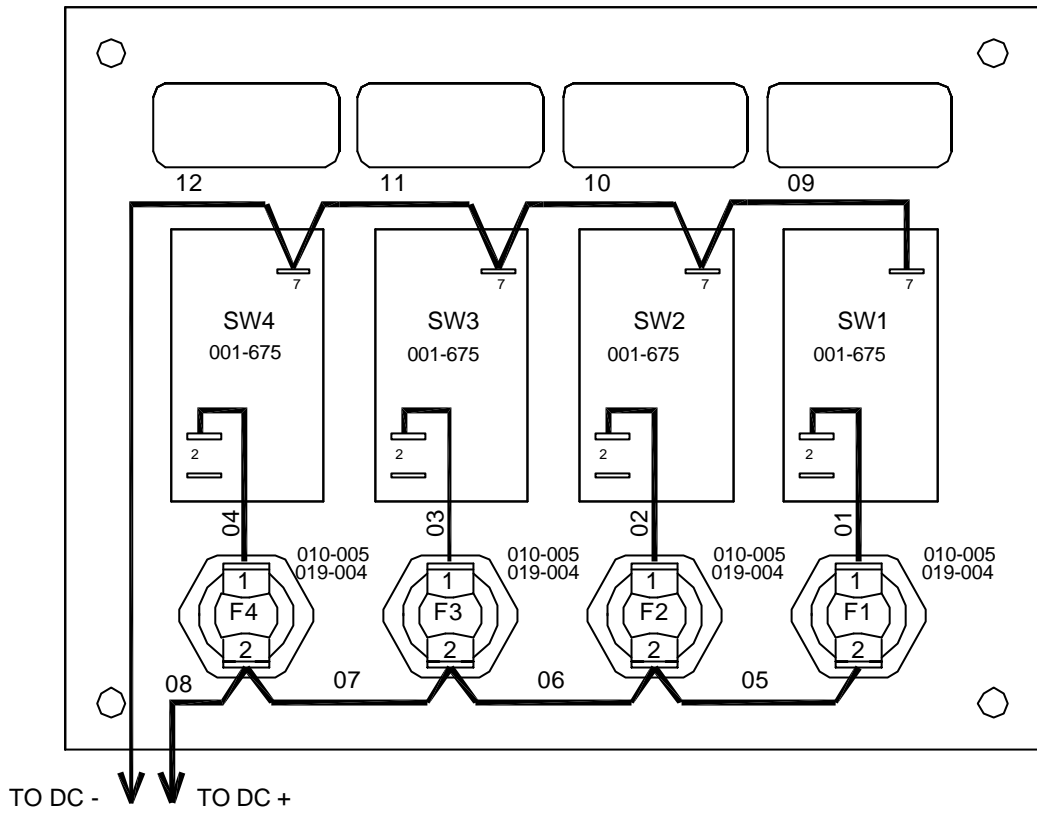


REVISIONS				
REV	DESCRIPTION	ECN	BY	DATE
2	ADDED SEAL TO SWITCHES	2004234	TG	10/26/04
3	REMOVED WIRE LEG FROM PANEL AND CREATED AS NEW P/N	2005178	KP	7/12/05



EXCLUSIVE PROPERTY OF PANELTRONICS, INC.  
 NOT FOR RELEASE WITHOUT PROPER WRITTEN  
 AUTHORIZATION THIS DOCUMENT DISCLOSES  
 INFORMATION WHICH PANELTRONICS INCORPORATED  
 HAS PROPRIETARY RIGHTS

NOTES:  
 USE LOW PROFILE FUSE HOLDER  
 WIRES: 220-158

MATERIAL:

DRAWN BY: TG  
 DATE: 11/16/00

SHEET: 2 OF 2  
 SCALE: 1:1  
 SIZE: A



REAR VIEW  
 PNL, DC FOUR ROCKER SW PNL

CUSTOMER: PANELTRONICS

SERIES/MODEL: CAT  
 DRAWING #: 9960011  
 REV: 3