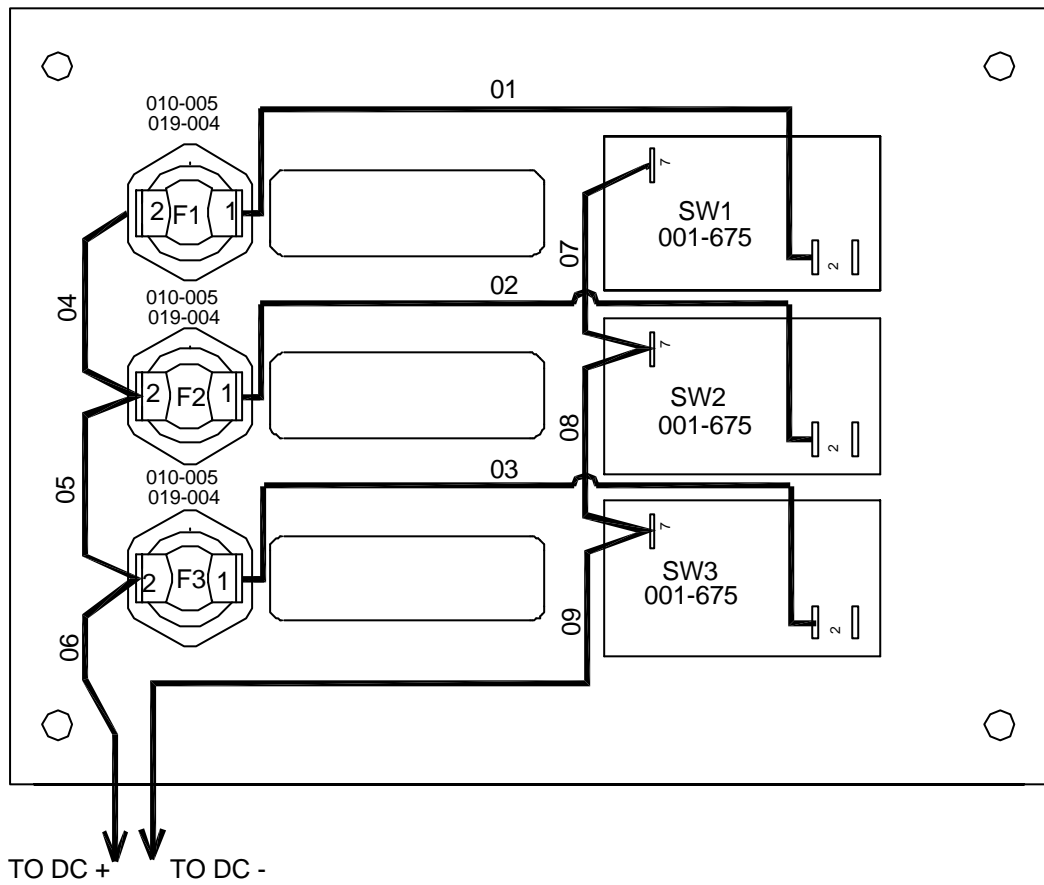


R E V I S I O N S				
REV	DESCRIPTION	ECN	BY	DATE
2	ADDED SEAL TO SWITCHES	2004234	TG	10/26/04



EXCLUSIVE PROPERTY OF PANELTRONICS, INC.  
 NOT FOR RELEASE WITHOUT PROPER WRITTEN  
 AUTHORIZATION THIS DOCUMENT DISCLOSES  
 INFORMATION WHICH PANELTRONICS INCORPORATED  
 HAS PROPRIETARY RIGHTS



NOTES:  
 LOW PROFILE  
 FUSE HOLDER  
 MATERIAL:

REAR VIEW  
 PNL, DC THREE ROCKER SW PNL

DRAWN BY:  
 TG  
 DATE:  
 11/15/00  
 SHEET:  
 2 of 3  
 SCALE:  
 1:1  
 SIZE:  
 A

CUSTOMER:  
 PANELTRONICS  
 SERIES/MODEL:  
 CAT  
 DRAWING #:  
 9960014  
 REV:  
 2