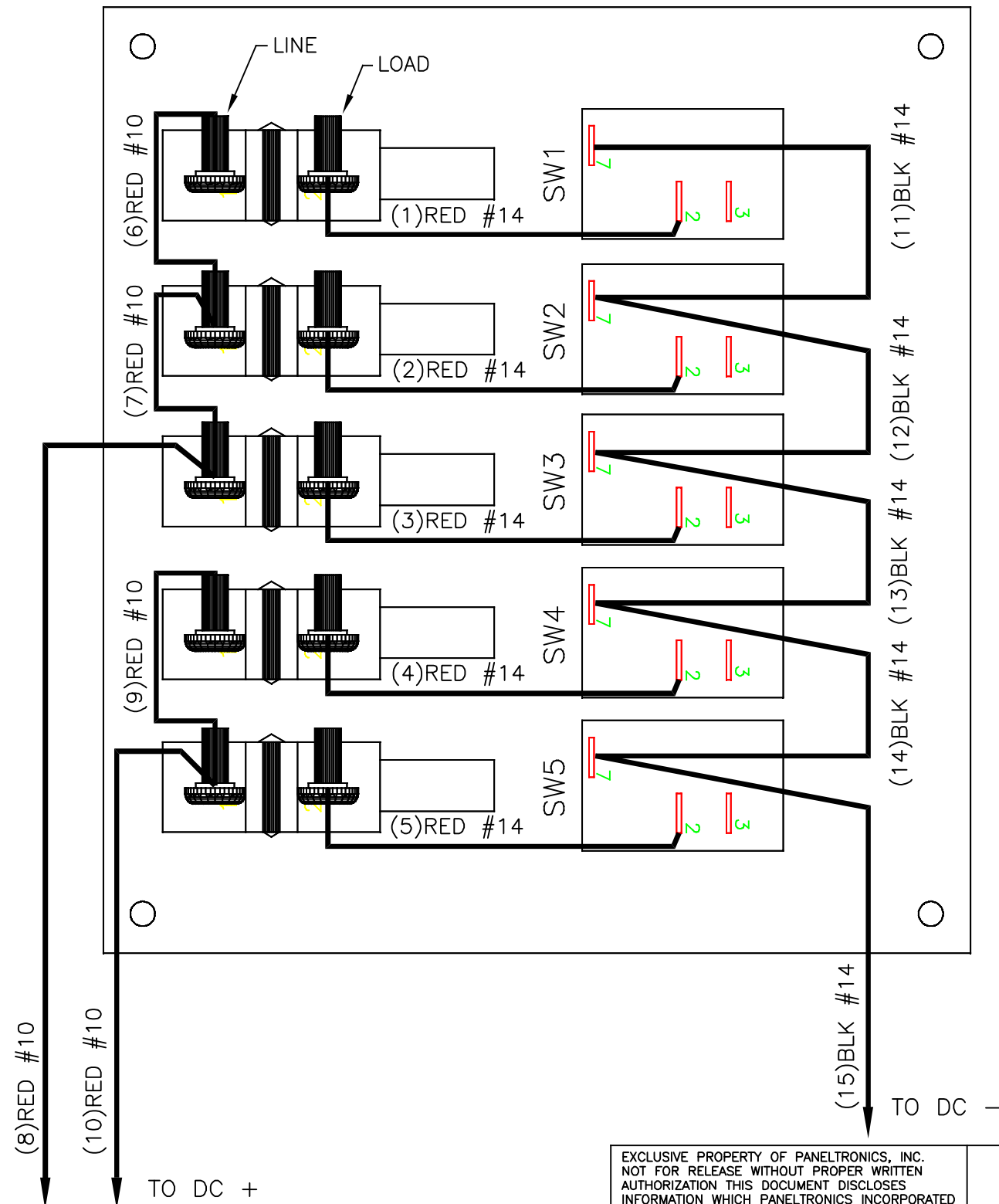


REVISIONS

REV	DESCRIPTION	ECN	BY	DATE
1	REMOVED WIRE LEG FROM PANEL	2006096	Jz	4/10/06
2	ROTATED BKRS 180 DEGREES AND INDICATED THE LOCATION OF LINE/LOAD	14597	Jz	1/25/11



USE THIS DRAWING WHEN 9960018B IS NEEDED

Learn more about electrical distribution on our website.

EXCLUSIVE PROPERTY OF PANELTRONICS, INC.  
NOT FOR RELEASE WITHOUT PROPER WRITTEN  
AUTHORIZATION THIS DOCUMENT DISCLOSES  
INFORMATION WHICH PANELTRONICS INCORPORATED  
HAS PROPRIETARY RIGHTS



NOTES:  
WIRE 220-301

REAR VIEW  
PNL, SWITCH ROCK 5 POSITIONS

MATERIAL:

DRAWN BY: Jz  
DATE: 04/10/06

CUSTOMER: PANELTRONICS

SHEET: 2 OF 2  
SCALE: 1:1  
SIZE: A

SERIES/MODEL: CAT  
DRAWING #: 9960018  
REV: 2