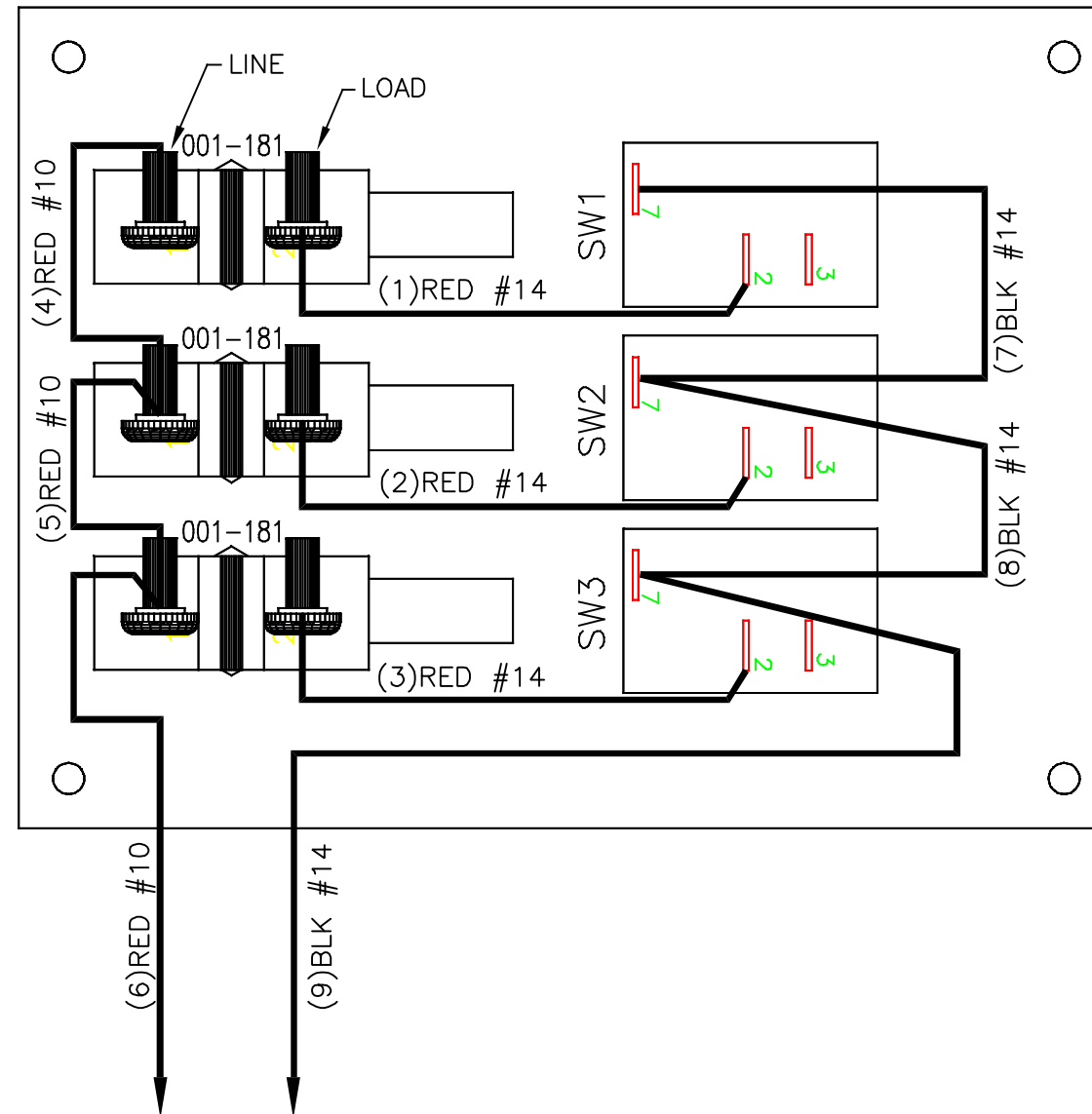


REVISIONS				
REV	DESCRIPTION	ECN	BY	DATE
1	REMOVED WIRE LEG FROM PANEL AND CREATED AS NEW P/N	2005178	KP	7/12/05
2	ROTATED BKRS 180 DEGREES AND INDICATED THE LOCATION OF LINE/LOAD	14597	Jz	1/25/11



Learn more about electrical distribution on our website.

EXCLUSIVE PROPERTY OF PANELTRONICS, INC. NOT FOR RELEASE WITHOUT PROPER WRITTEN AUTHORIZATION THIS DOCUMENT DISCLOSES INFORMATION WHICH PANELTRONICS INCORPORATED HAS PROPRIETARY RIGHTS		<i>PANELTRONICS</i>		
NOTES: SIMILAR TO 9960014 WIRES: 220-160 MATERIAL:		REAR VIEW DC THREE SWITCH PANEL		
DRAWN BY: EA	DATE: 03/10/04	CUSTOMER: PANELTRONICS		
SHEET: 2 OF 2	SCALE: 1:1	SIZE: A	SERIES/MODEL: CAT	DRAWING #: 9960019
				REV: 2