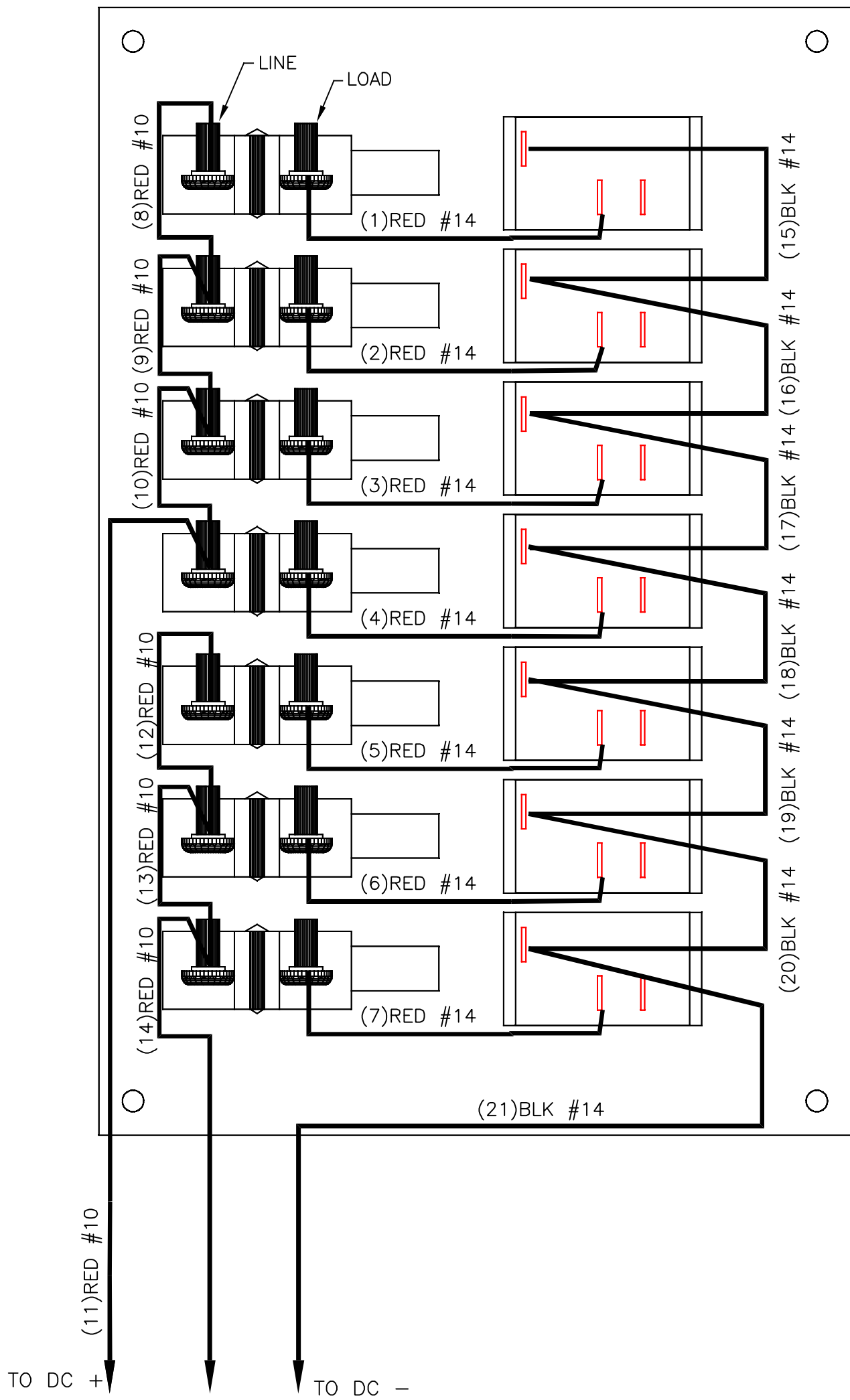


REVISIONS				
REV	DESCRIPTION	ECN	BY	DATE
2	REMOVED WIRE LEG FROM PANEL AND CREATED AS NEW P/N	2005178	KP	7/12/05
3	ROTATED BKRS 180 DEGREES AND INDICATED THE LOCATION OF LINE/LOAD	14597	Jz	1/25/11



Learn more about electrical distribution on our website.

<small>EXCLUSIVE PROPERTY OF PANELTRONICS, INC. NOT FOR RELEASE WITHOUT PROPER WRITTEN AUTHORIZATION THIS DOCUMENT DISCLOSES INFORMATION WHICH PANELTRONICS INCORPORATED HAS PROPRIETARY RIGHTS</small>				
NOTES: SIMILAR TO 9960015 WIRES: 220-161 MATERIAL:		<h2>REAR VIEW DC SEVEN ROCKER SW PANEL</h2>		
DRAWN BY: <b>EA</b>	DATE: <b>03/10/04</b>	CUSTOMER: <b>PANELTRONICS</b>		
SHEET: <b>2 OF 2</b>	SCALE: <b>1:1</b>	SIZE: <b>B</b>	SERIES/MODEL: <b>CAT</b>	DRAWING #: <b>9960020</b>
				REV: <b>3</b>