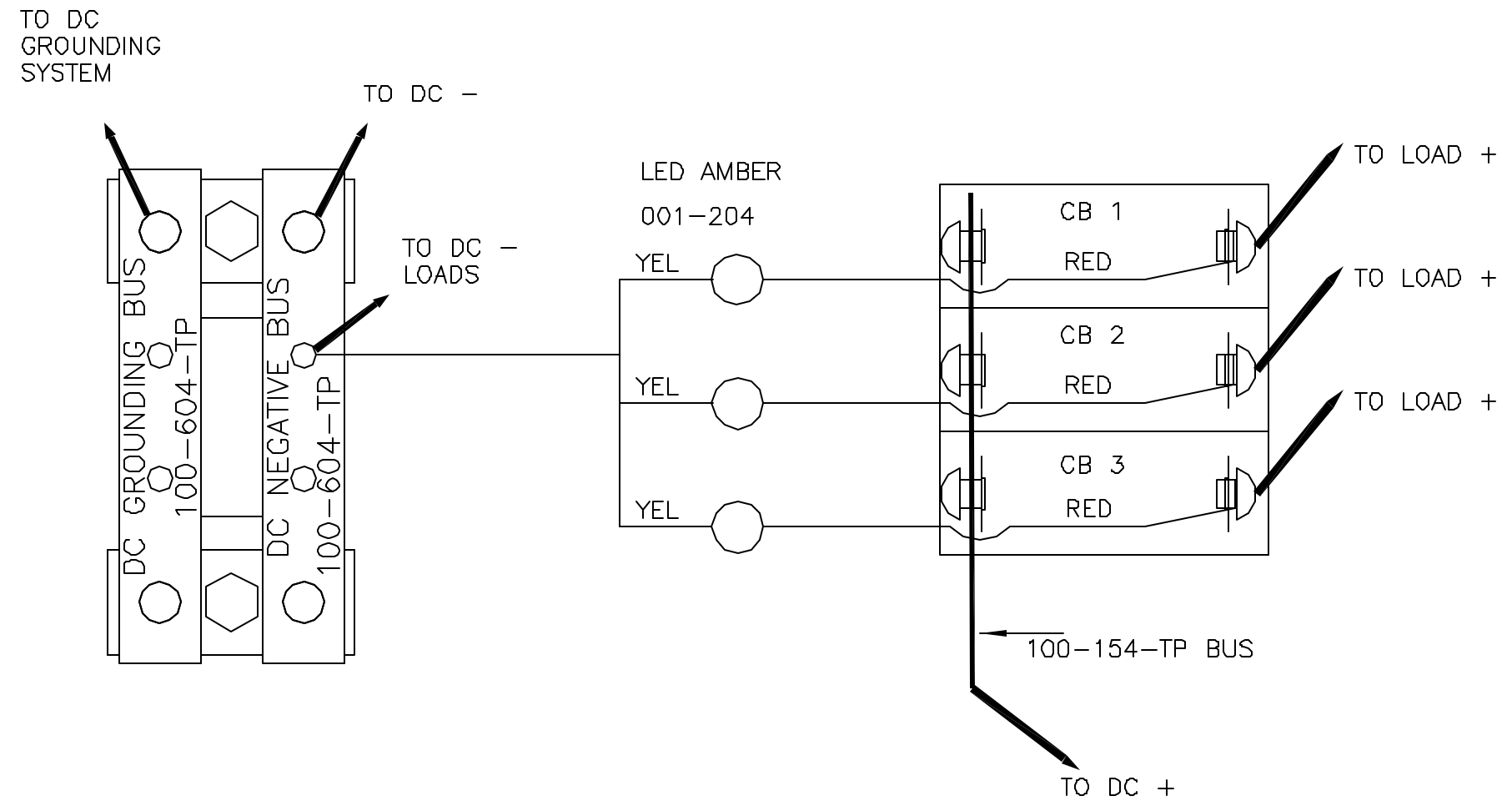


| REVISIONS | | | | |
|-----------|--|---------|-----|---------|
| REV | DESCRIPTION | ECN | BY | DATE |
| 1 | CHANGED FROM BRASS TO TIN PLATED PARTS | 2004D13 | GJR | 1/15/04 |

| CB1 - CB3 | |
|-----------|----------|
| RATING | PART NO |
| 5A | 206-070S |
| 10A | 206-071S |
| 15A | 206-072S |
| 20A | 206-073S |
| 25A | 206-074S |
| 30A | 206-075S |
| 40A | 206-076S |
| 50A | 206-077S |



Learn more about electrical distribution on our website.

EXCLUSIVE PROPERTY OF PANELTRONICS, INC.
 NOT FOR RELEASE WITHOUT PROPER WRITTEN
 AUTHORIZATION THIS DOCUMENT DISCLOSES
 INFORMATION WHICH PANELTRONICS INCORPORATED
 HAS PROPRIETARY RIGHTS

PANELTRONICS

**REAR VIEW
 DC THREE BRANCH CIRCUIT BREAKER
 PANEL WITH INDICATOR LIGHTS**

| | |
|-------------------|----------------|
| Notes: | |
| Drawn By: A.A. | Date: 04/25/95 |
| Revised By: MG | Date: 04/25/95 |
| Series/Model: STD | Item: CB PNL |

| | | | | |
|---------------|------------|---------|---------------------|--------|
| Sheet: 1 of 1 | Scale: 1:1 | Size: B | DWG/Part #: 9972207 | Rev: 1 |
|---------------|------------|---------|---------------------|--------|