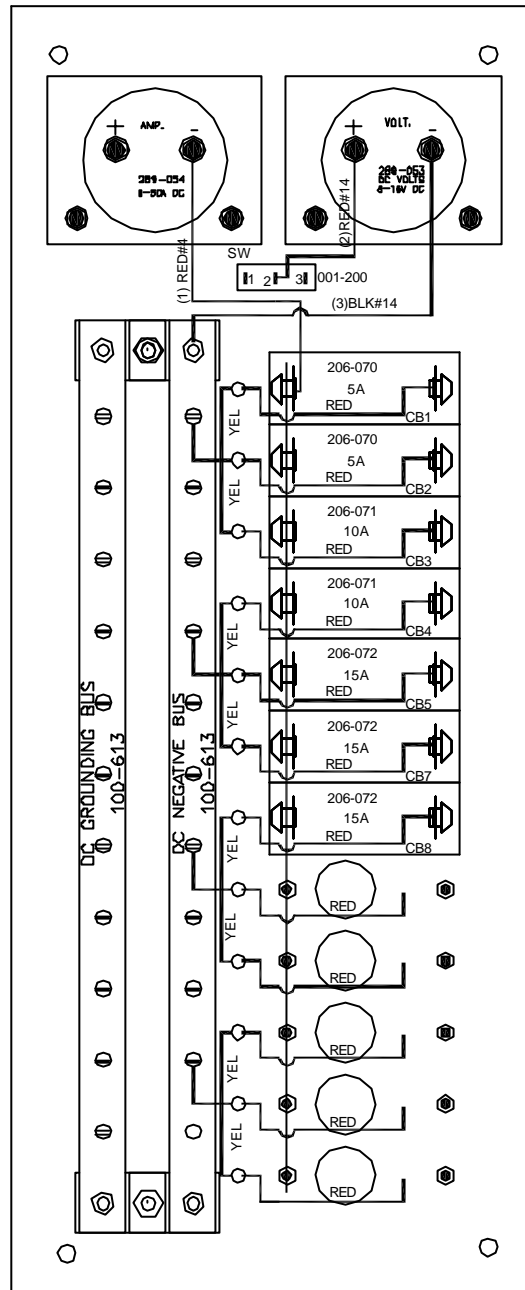


REVISIONS			
REV	DESCRIPTION	DATE	APPROVED
1	CHANGE BUS BAR	9/9/02	2002424



Learn more about electrical distribution on our website.

		PANELTRONICS	
Title		REAR VIEW 12 VOLTS DC DIST. SYSTEM CATALOGUE PANEL	
Drawn By: NA	Date: 11/09/2000		
Rev/Iss By: TG	Date: 9/9/02		
Scale/Model	Rev	Sheet: 2 of 2	Scale: 1:1
		Size: C	Part #/Rev #/ 9972220
			Rev: 1