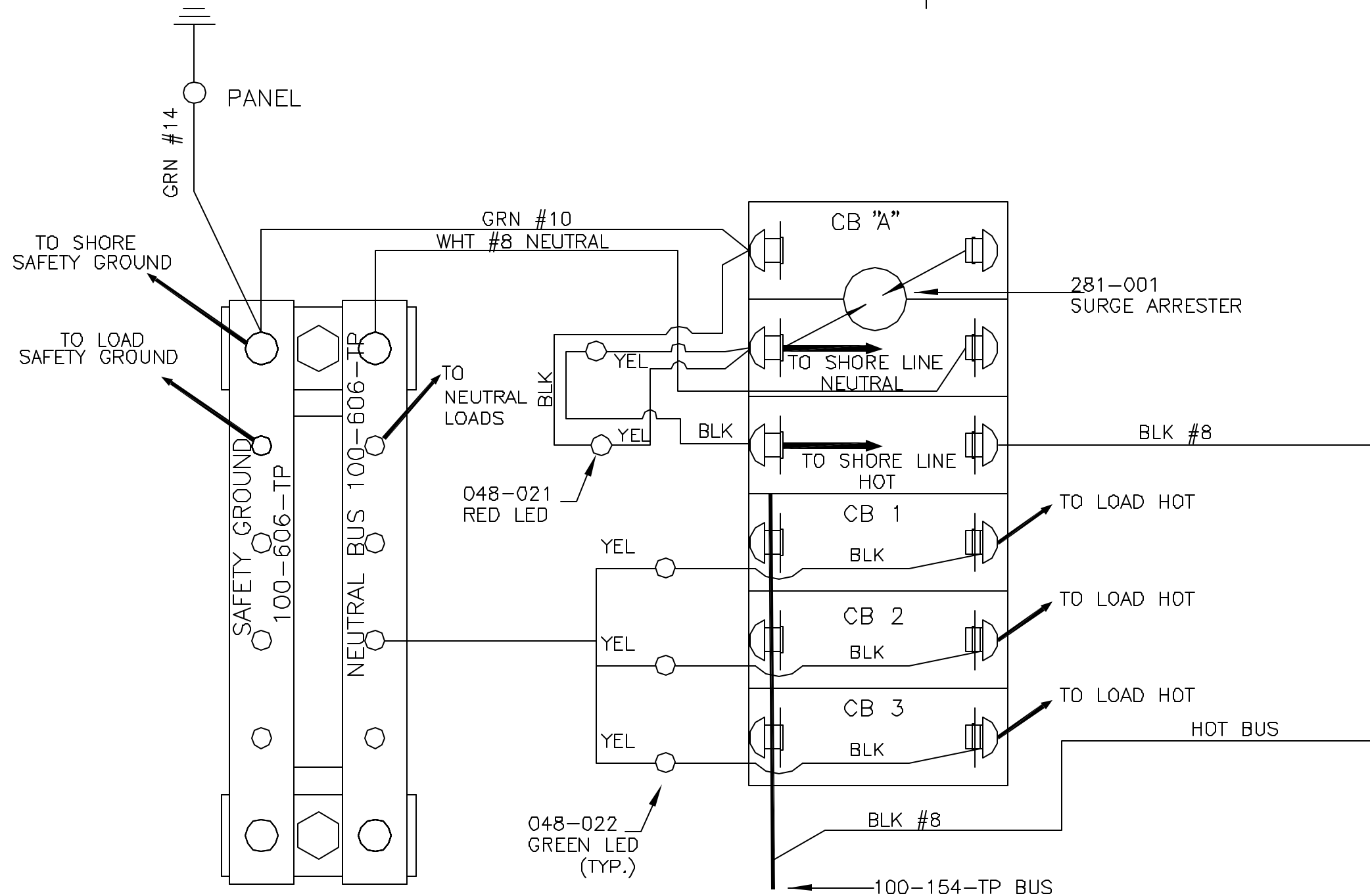


REVISIONS				
REV	DESCRIPTION	ECN	BY	DATE
D	CHANGED FROM BRASS TO TIN PLATED PARTS	2004D13	GR	1/18/04

SHORE MAIN CB "A"	
RATING	PART NO
30A	206-087S

CB1 - CB3	
RATING	PART NO
5A	206-070S
10A	206-071S
15A	206-072S
20A	206-073S
25A	206-074S
30A	206-075S
40A	206-076S
50A	206-077S



Learn more about electrical distribution on our website.

EXCLUSIVE PROPERTY OF PANELTRONICS, INC.  
NOT FOR RELEASE WITHOUT PROPER WRITTEN  
AUTHORIZATION THIS DOCUMENT DISCLOSES  
INFORMATION WHICH PANELTRONICS INCORPORATED  
HAS PROPRIETARY RIGHTS



Notes:	
Drawn By: <b>A.A.</b>	Date: <b>04/21/95</b>
Revised By: <b>M.G./TG</b>	Date: <b>06/06/02</b>

## REAR VIEW AC THREE BRANCH CIRCUIT BREAKER WITH MAIN

Series/Model: <b>STD</b>	Item: <b>CB PNL</b>	Sheet: <b>1 of 1</b>	Scale: <b>1:1</b>	Size: <b>B</b>	DWG/Part #: <b>9972313</b>	Rev: <b>0</b>
-----------------------------	------------------------	-------------------------	----------------------	-------------------	-------------------------------	------------------