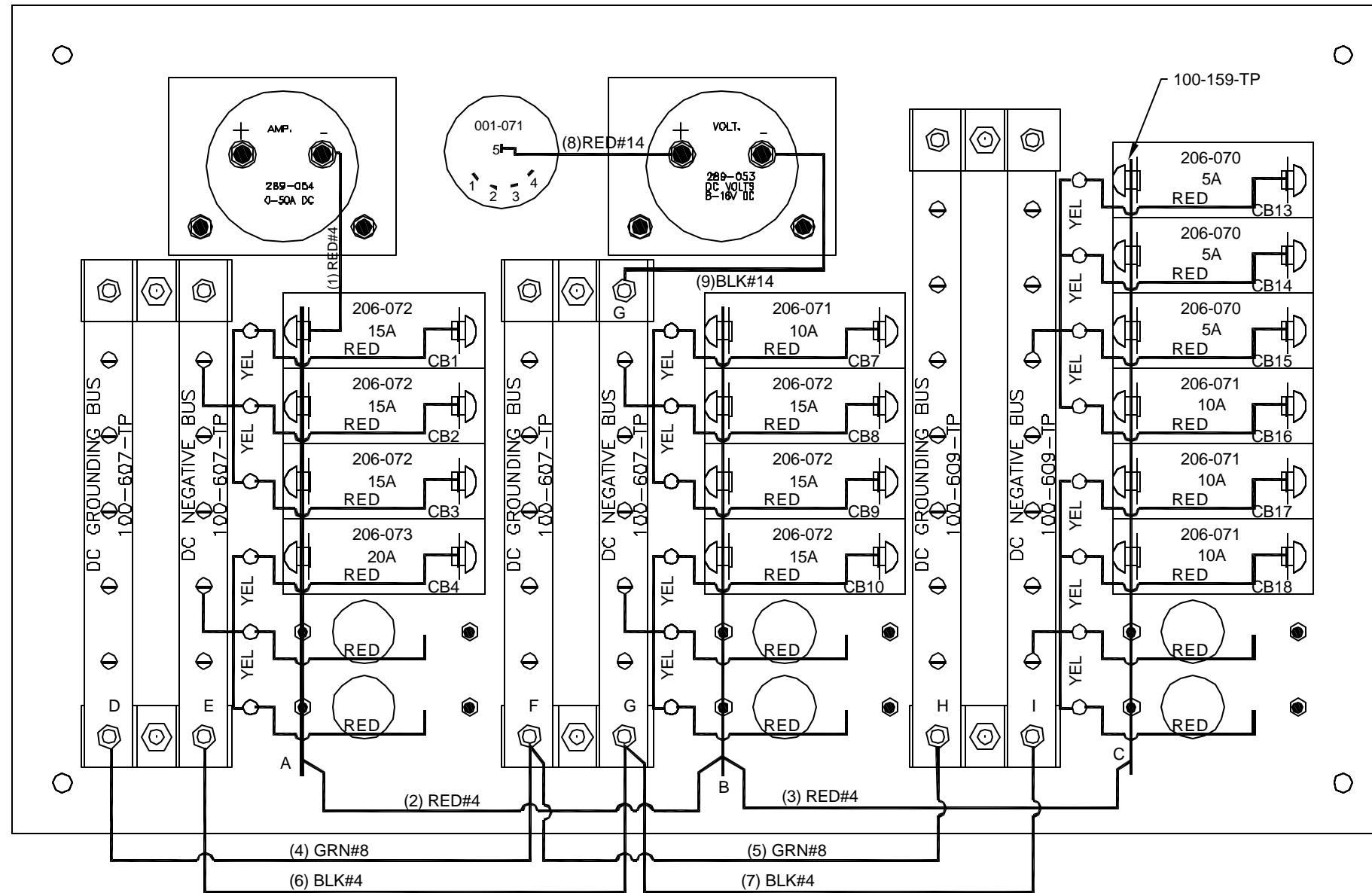


REVISIONS			
REV	DESCRIPTION	DATE	APPROVED
1	DELETED SHRINK TUBING	9/6/02	2002420
2	CHANGED FROM BRASS TO TIN PLATED PARTS	1/19/04	2004013



Learn more about electrical distribution on our website.

EXCLUSIVE PROPERTY OF PANELTRONICS, INC.
NOT FOR RELEASE WITHOUT PROPER WRITTEN
AUTHORIZATION THIS DOCUMENT DISCLOSES
INFORMATION WHICH PANELTRONICS INCORPORATED
HAS PROPRIETARY RIGHTS

PANELTRONICS

REAR VIEW
12V DC 20 POSITIONS

CATALOGUE PANEL

Drawn By:	NA	Date:	11/09/2000
Revised By:	TG	Date:	9/6/02
Series/Model:	CAT	Item:	

Sheet:	2 of 2	Scale:	1:1	Size:	C	DWG/Part #:	9973210	Rev:	2
--------	--------	--------	-----	-------	---	-------------	---------	------	---