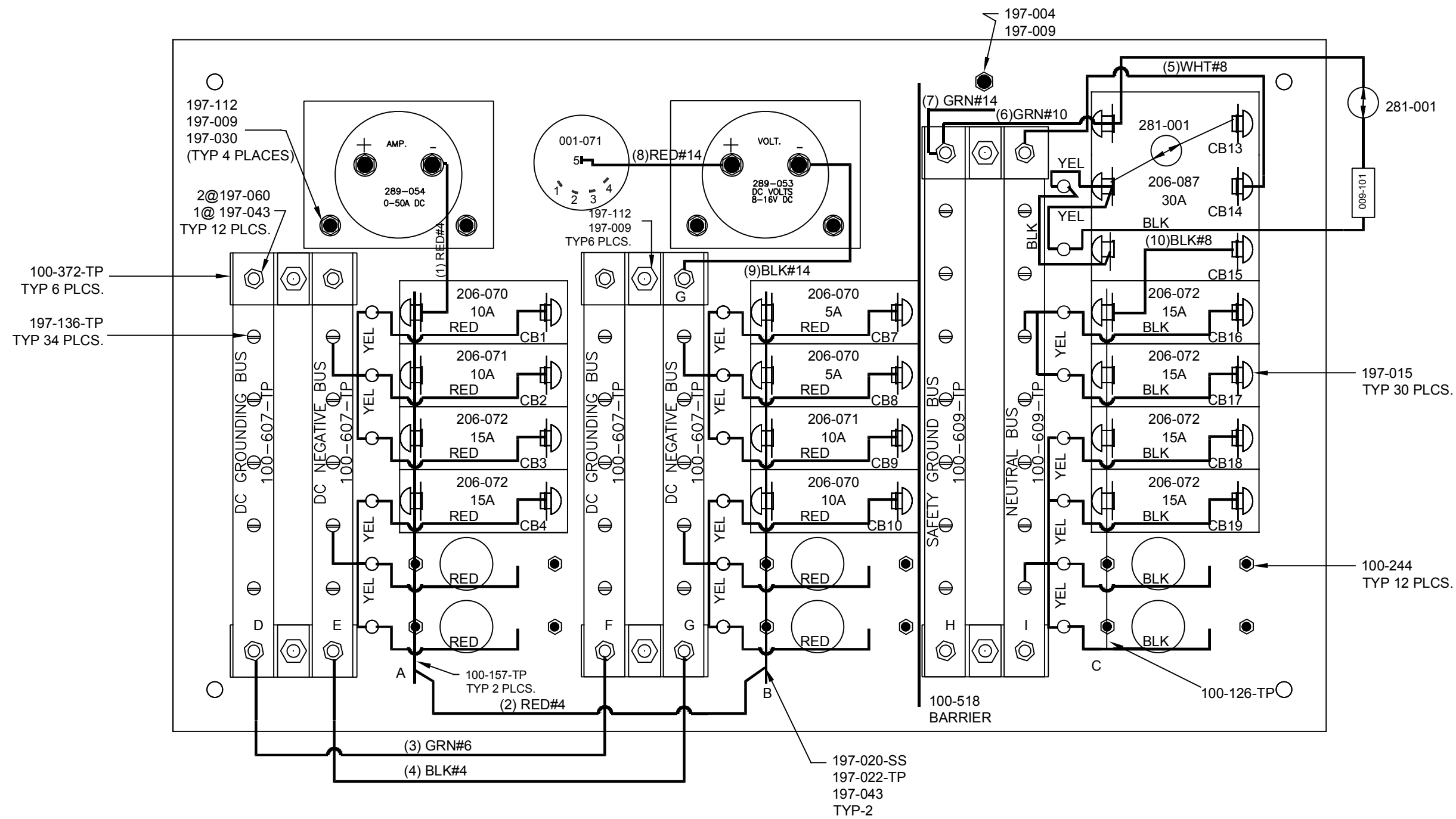


REVISIONS				
REV	DESCRIPTION	ECN	BY	DATE
4	CHANGED GRN#5 TO GRN#6	0013248	Rz	8/05/08
2	CHANGED FROM BRASS TO TIN PLATED PARTS	2004013	NA	1/19/04
3	REMOVED WIRE LEG FROM PANEL AND CREATED AS NEW P/N	2005261	KP	11/21/05



Learn more about electrical distribution on our website.

EXCLUSIVE PROPERTY OF PANELTRONICS, INC. NOT FOR RELEASE WITHOUT PROPER WRITTEN AUTHORIZATION THIS DOCUMENT DISCLOSES INFORMATION WHICH PANELTRONICS INCORPORATED HAS PROPRIETARY RIGHTS		PANELTRONICS	
NOTES: WIRES: 220-276		REAR VIEW 12V DC & 120V AC	
MATERIAL:		CUSTOMER: PANELTRONICS	
DRAWN BY: NA	DATE: 11/08/00	SERIES/MODEL:	DRAWING #: 9973410
SHEET: 2 of 2	SCALE: 1:1	SIZE: C	REV: 4