



**MARINETECH
PRODUCTS, INC.**

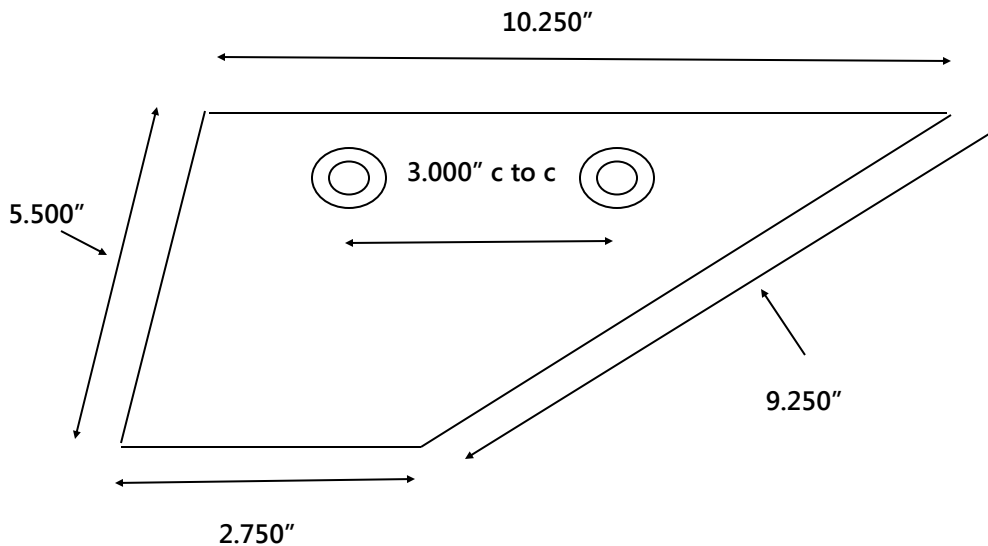
Safe-Skeg

PART NUMBER: 35-SS600

Mercury I/O Pre-Alpha #1 Drives
1973-1984



PART NUMBER: 35-SS600



Made of 316 Marine Grade SS
1.5mm material thickness

Typical thickness of skeg
.625"