



MARINETECH
PRODUCTS, INC.

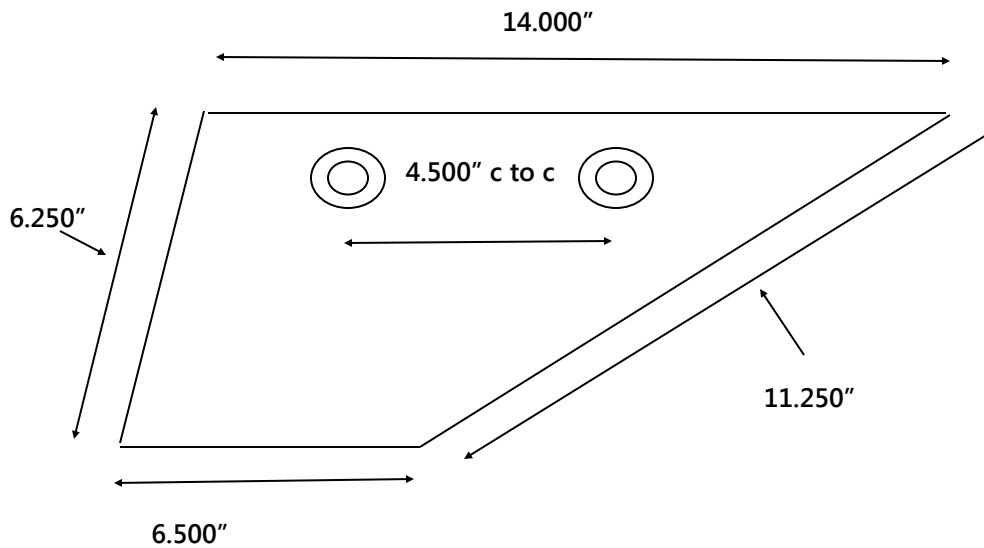


Safe-Skeg

MODEL 35-SS615

MerCruiser I/O Bravo 1 & 3 Drives, 1990-present

DIMENSIONS



Made of 316 Marine Grade Stainless Steel
Thickness: 1.5 mm

Typical thickness of skeg
.625"

When it comes to quality boat hull and keel protectors, Panther is the brand you can depend on.