



MARINETECH
PRODUCTS, INC.

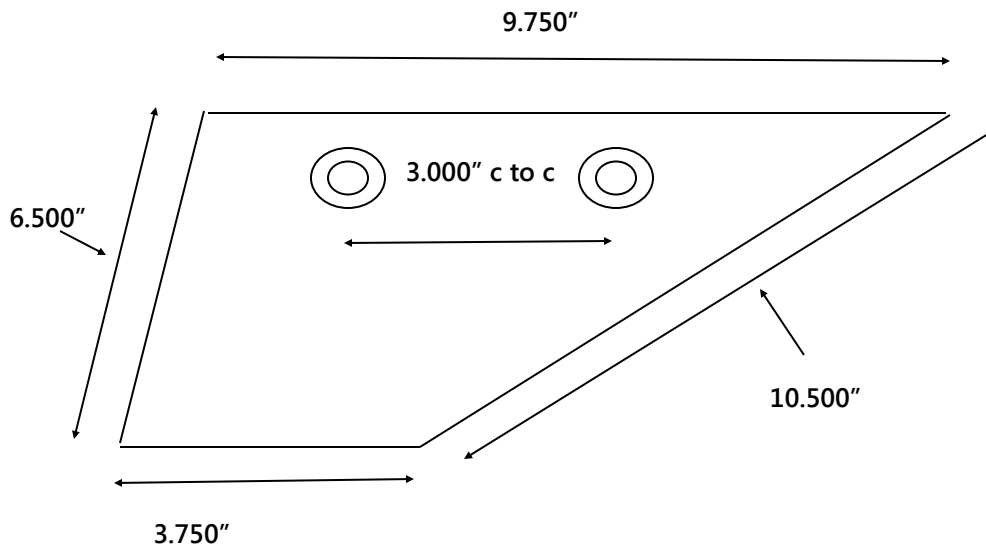


Safe-Skeg

Model 35-SS620

Mercury/Mariner 135-150-175-200 HP, 2 & 4 stroke, 1978-2011
Mercury/Mariner 225 HP, 2-stroke, 1978-1995

DIMENSIONS



Made of 316 Marine Grade Stainless Steel
Thickness: 1.5 mm

Typical thickness of skeg
.625"

When it comes to quality boat hull and keel protectors, Panther is the brand you can depend on.