



MARINETECH
PRODUCTS, INC.

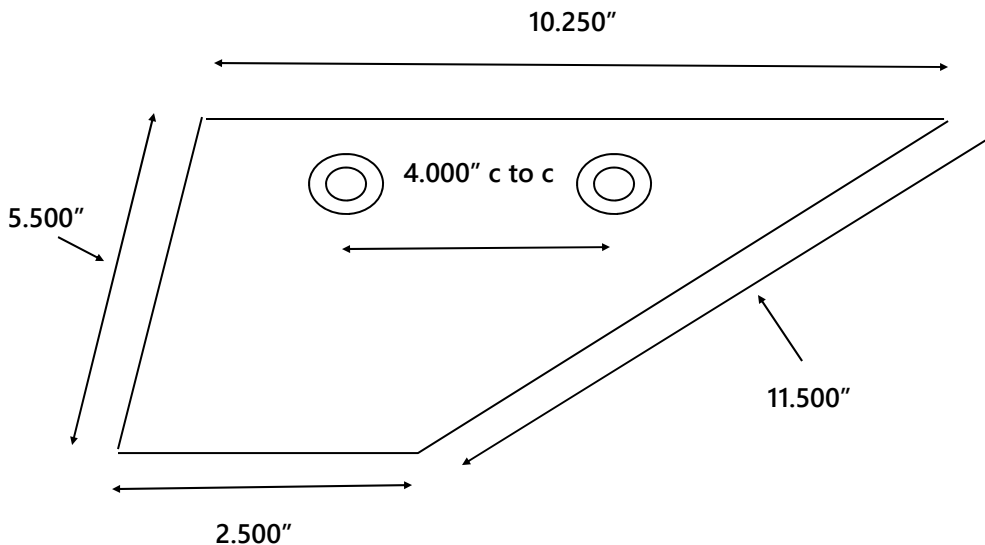


Safe-Skeg

Model 35-SS630

Suzuki 300 HP, 4-stroke, 2009-present
Evinrude/Johnson 150-175-185-200-225 HP, 2-stroke, 1986-2003
Evinrude/Johnson 150 DBX & DPL [E-TEC], 2-stroke, 2004-present
Evinrude/Johnson 225-250 DCX, DCZ, DPX [E-TEC] 2004-present
Evinrude/Johnson 175-200 DPL, DSL Blue [E-Tec], 2-stroke, 2004-present
OMC I/O Cobra V6 and V8, 1986-1994

DIMENSIONS



Made of 316 Marine Grade Stainless Steel
Thickness: 1.5 mm

Typical thickness of
skeg .625"

When it comes to quality boat hull and keel protectors, Panther is the brand you can depend on.