



**MARINETECH
PRODUCTS, INC.**



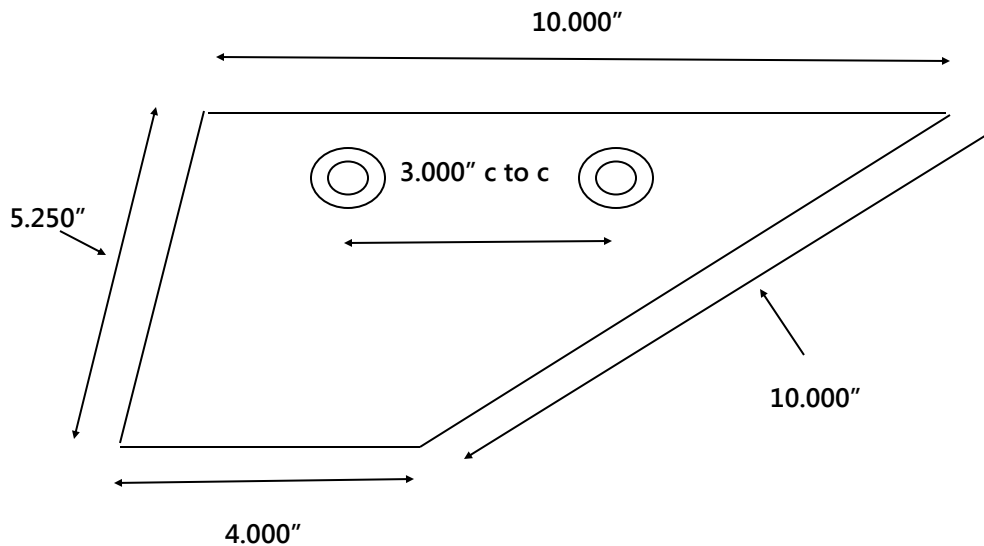
Safe-Skeg

MODEL 35-SS635

Evinrude/Johnson 90-100-115-120-140 HP, 2-Stroke, 1980-2001

OMC I/O Cobra 4-cylinder, 1986-1994

DIMENSIONS



Made of 316 Marine Grade Stainless Steel
Thickness: 1.5 mm

Typical thickness of skeg
.625"