



**MARINETECH
PRODUCTS, INC.**



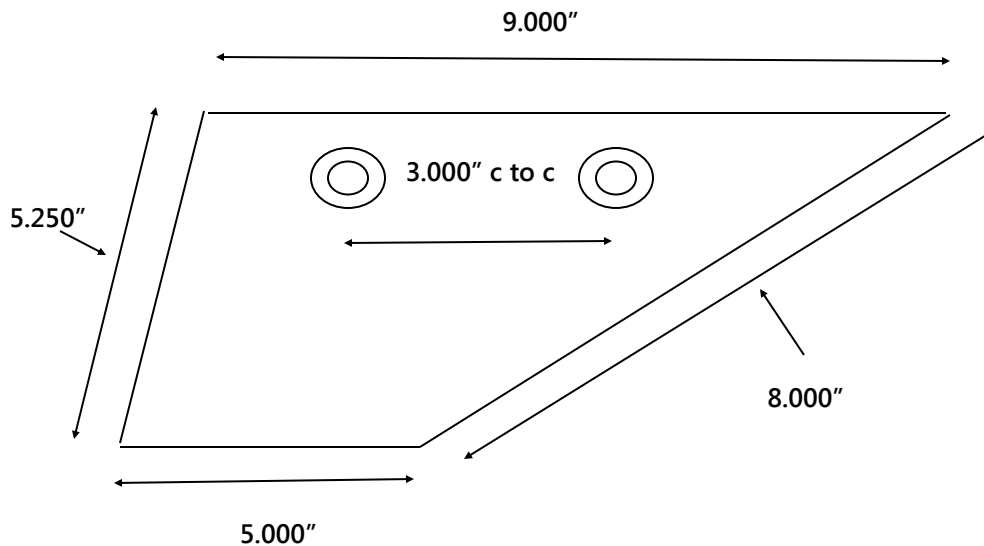
Safe-Skeg

MODEL 35-SS640

Evinrude/Johnson 60-70 HP, 2-stroke, 1984-2002

Evinrude/Johnson 40-50-60 HP [E-TEC], 2-stroke, 1984-2008

DIMENSIONS



Made of 316 Marine Grade Stainless Steel
Thickness: 1.5 mm

Typical thickness of skeg
.625"