



**MARINETECH  
PRODUCTS, INC.**

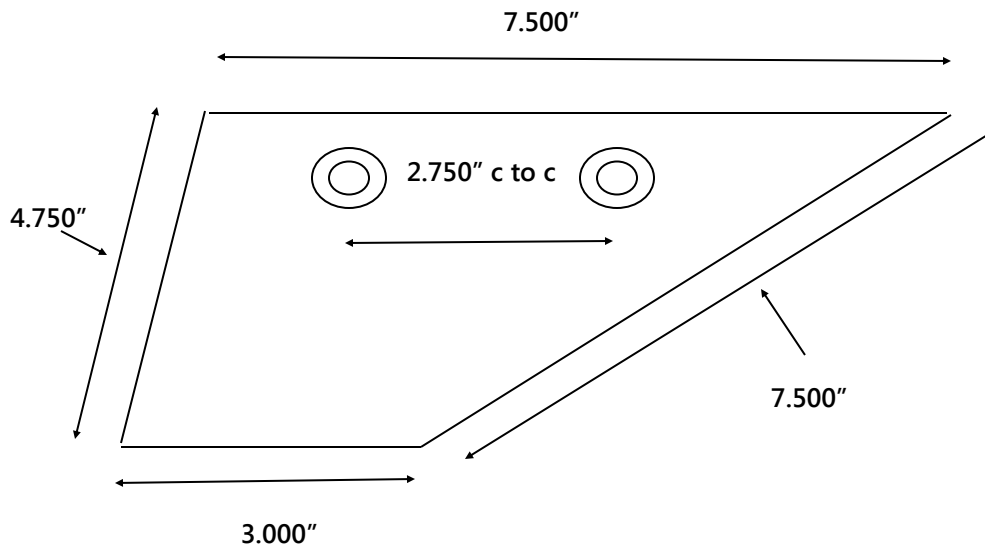


# Safe-Skeg

MODEL 35-SS650

Force 70-75 HP, 2-stroke, 1991-1997  
Honda 35-40-45-50-90 HP, 4-stroke, 1991-present  
Mercury/Mariner 40-50-60 HP, 2-stroke, 1986-2002  
Nissan/Tohatsu 35-40-50 HP, 2-stroke, 1993-2010  
Suzuki 40-50-60-70 HP, 4-stroke, 2003-present  
Yamaha 40-48 & 50-85 CV, 2-stroke, 1984-2000

## DIMENSIONS



Made of 316 Marine Grade Stainless Steel  
Thickness: 1.5 mm

Typical thickness of skeg  
.625"

When it comes to quality boat hull and keel protectors, Panther is the brand you can depend on.