



**MARINETECH**  
PRODUCTS, INC.



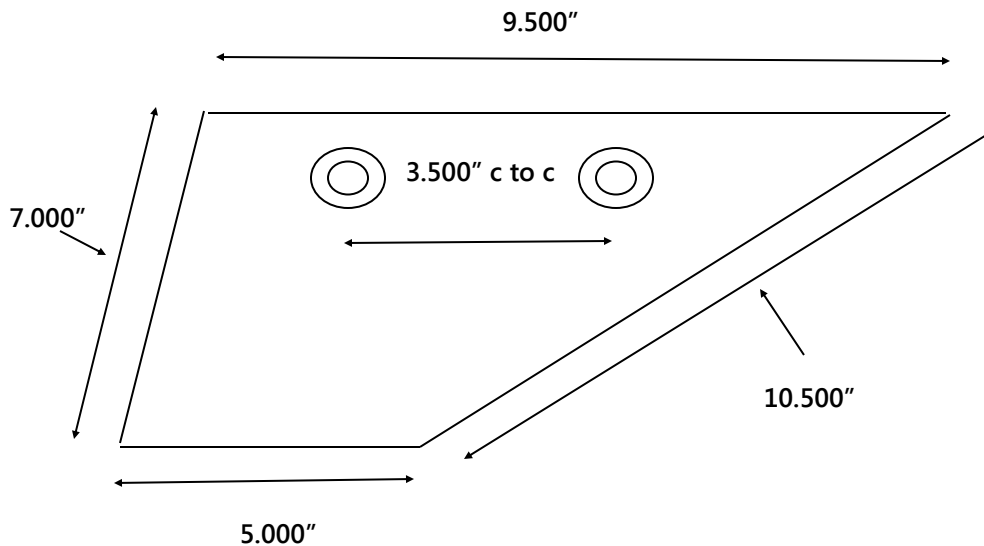
# Safe-Skeg

## MODEL 35-SS660

Mercury 200-225 HP Optimax, 2-stroke, 1996-2004

Mercury 225-250-275-300 HP Verado, 4-stroke, 2005-present

### DIMENSIONS



Made of 316 Marine Grade Stainless Steel  
Thickness: 1.5 mm

Typical thickness of skeg  
.625"

When it comes to quality boat hull and keel protectors, Panther is the brand you can depend on.