



**MARINETECH**  
PRODUCTS, INC.

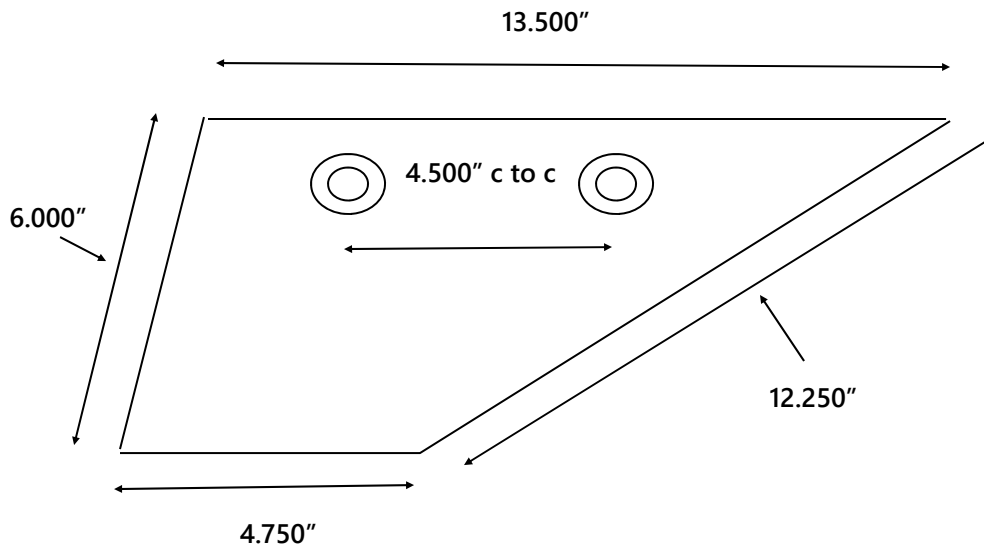
# Safe-Skeg

MODEL 35-SS665

Volvo Penta I/O, Single Prop, 1995-2006



## DIMENSIONS



Made of 316 Marine Grade Stainless Steel  
Thickness: 1.5 mm

Typical thickness of  
skeg: .625"