



**MARINETECH
PRODUCTS, INC.**



Safe-Skeg

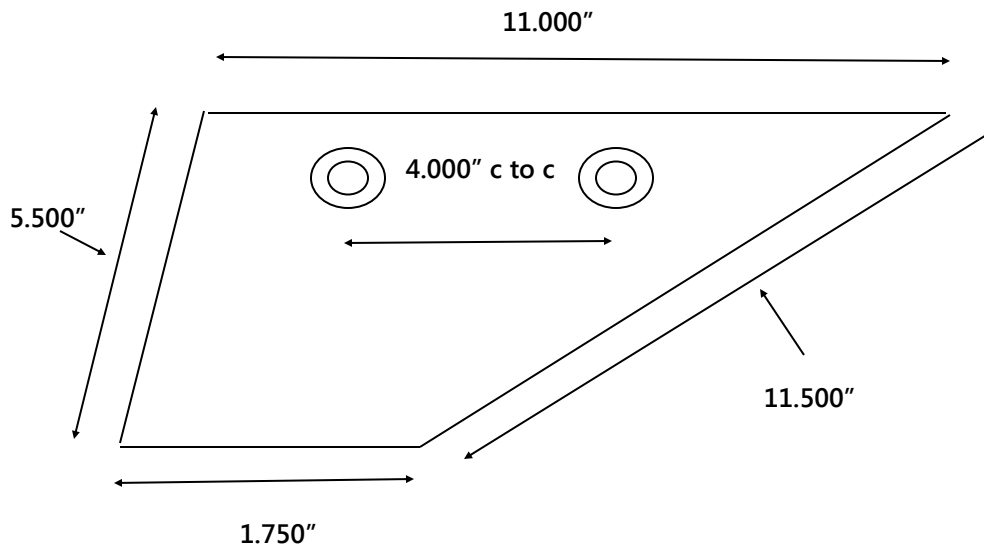
MODEL 35-SS675

Evinrude/Johnson 75-90 HP, 2-stroke [E-TEC], 220-2008

Evinrude/Johnson 100-115 HP, 2-stroke, 2003-2005

Evinrude/Johnson 115 HP, DBX, DCX, DPX [E-TEC], 2 stroke, 2006-2008

DIMENSIONS



Made of 316 Marine Grade Stainless Steel
Thickness: 1.5 mm

Typical thickness of skeg
.625"

When it comes to quality boat hull and keel protectors, Panther is the brand you can depend on.