



MARINETECH
PRODUCTS, INC.

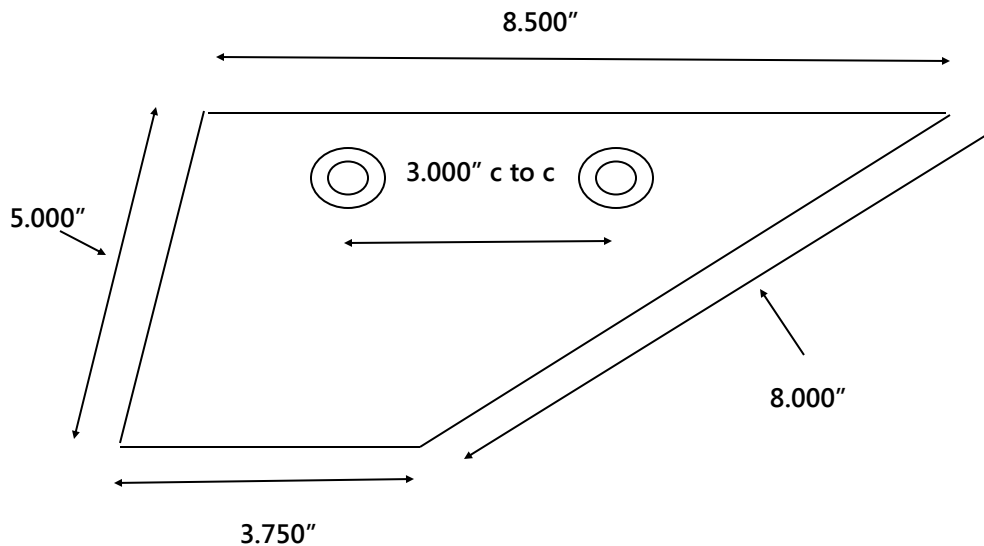


Safe-Skeg

MODEL 35-SS680

Evinrude/Johnson 60-70-90-115-140 HP [by Suzuki], 4-stroke, 1999-2003
Suzuki 90-115-140 HP, 4-stroke, 2003-present

DIMENSIONS



Made of 316 Marine Grade Stainless Steel
Thickness: 1.5 mm

Typical thickness
of skeg: .625"

When it comes to quality boat hull and keel protectors, Panther is the brand you can depend on.