



**MARINETECH
PRODUCTS, INC.**

Safe-Skeg

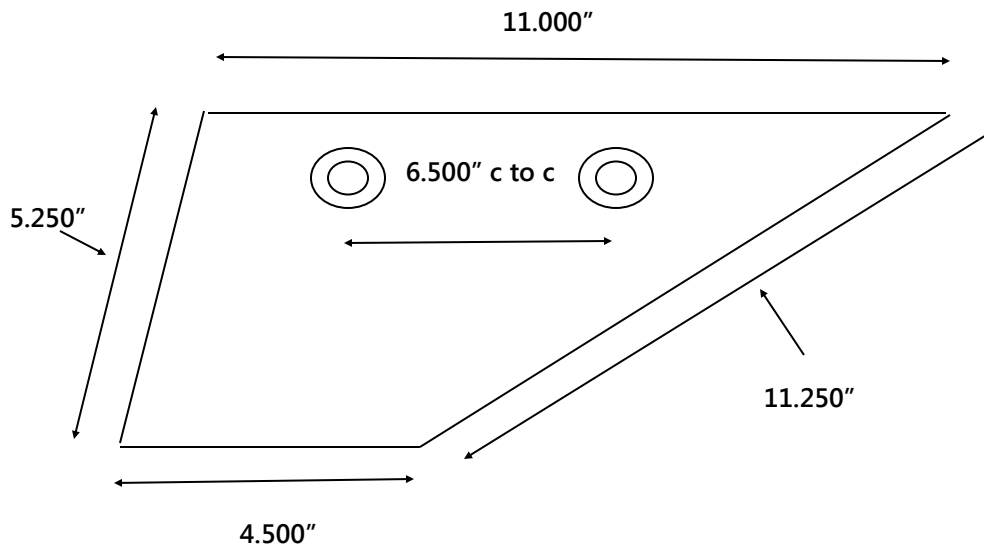
MODEL 35-SS685



Honda 135-150-200-225 HP, 4-stroke, 2004-present

Honda 115 HP, 4-stroke, 210-present

DIMENSIONS



Made of 316 Marine Grade SS
1.5mm material thickness

Typical thickness of skeg
.625"

When it comes to quality boat hull and keel protectors, Panther is the brand you can depend on.