



**MARINETECH
PRODUCTS, INC.**

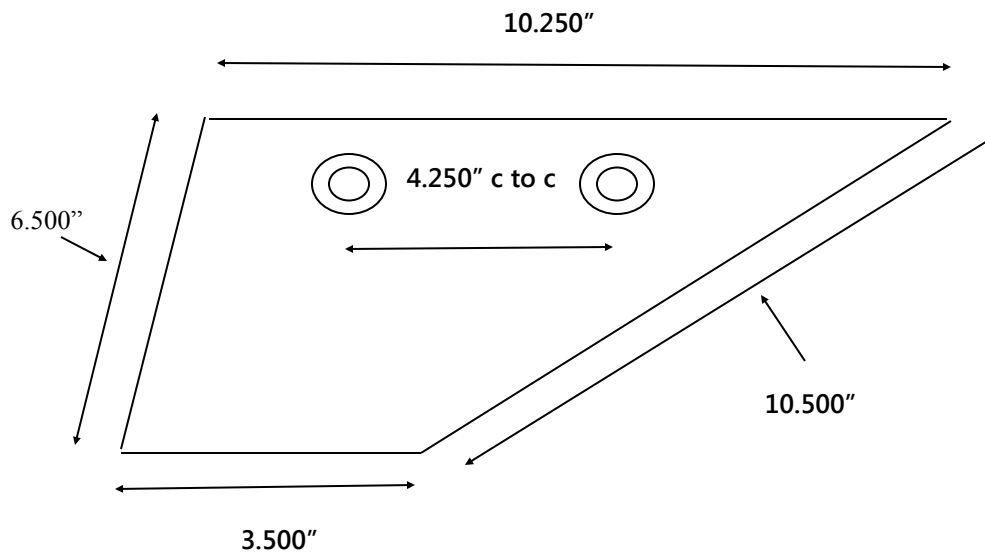
Safe-Skeg

Model 35-SS690



Yamaha 115-130 HP, 4-stroke, 2000-present
Yamaha 115-130 HP, 2-stroke, 2003-present

DIMENSIONS



Made of 316 Marine Grade SS
1.5mm material thickness

Typical thickness of skeg
.625"

When it comes to quality boat hull and keel protectors, Panther is the brand you can depend on.