



**MARINETECH
PRODUCTS, INC.**

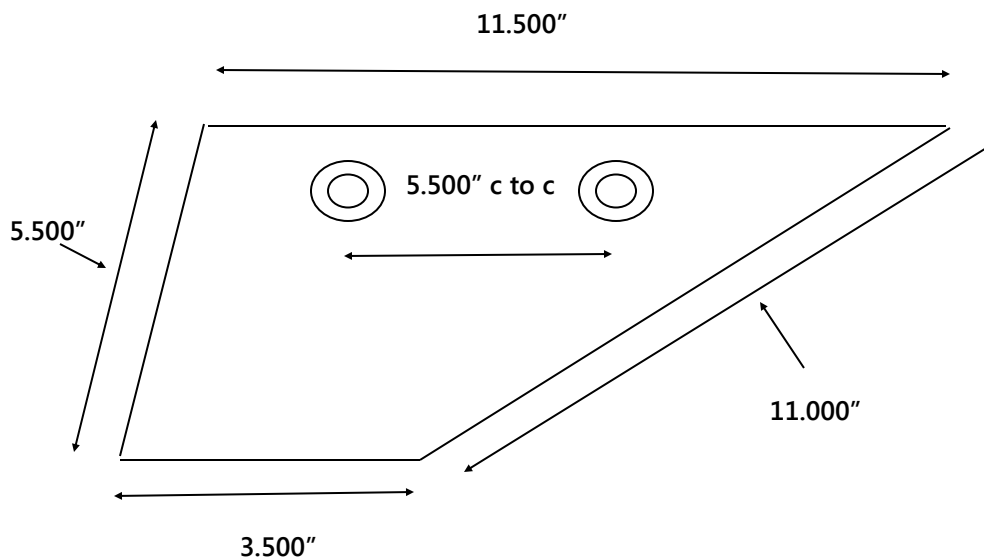
Safe-Skeg

Model 35-SS695



Yamaha 200-225-250-300 HP, 2 and 4 stroke, 2003-present

DIMENSIONS



Made of 316 Marine Grade SS
1.5mm material thickness

Typical thickness of skeg