



MARINETECH
PRODUCTS, INC.

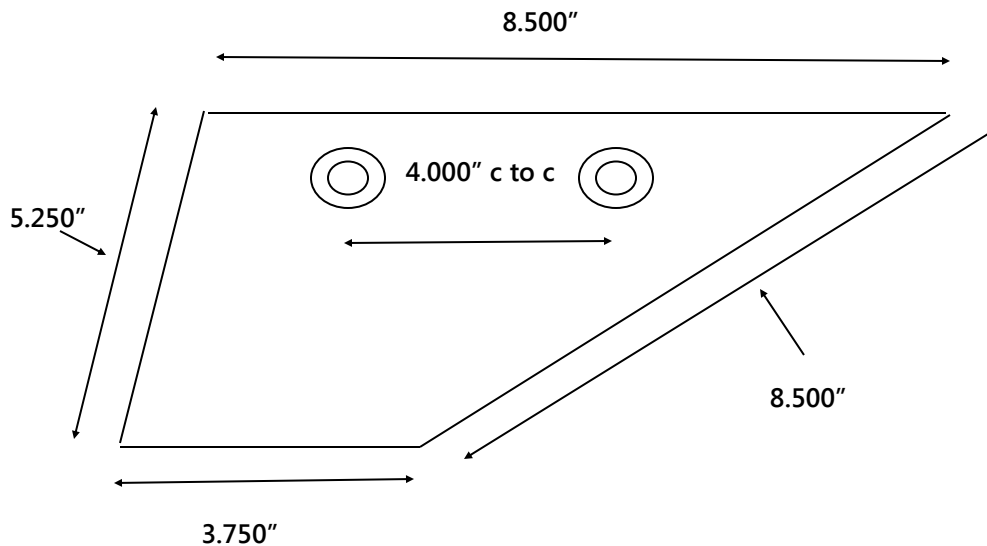
Safe-Skeg

Model 35-SS700

Yamaha 60-70-80-90-100, 2 and 4-stroke, 2002-present



DIMENSIONS



Made of 316 Marine Grade SS
1.5mm material thickness

Typical thickness of skeg
.625"