

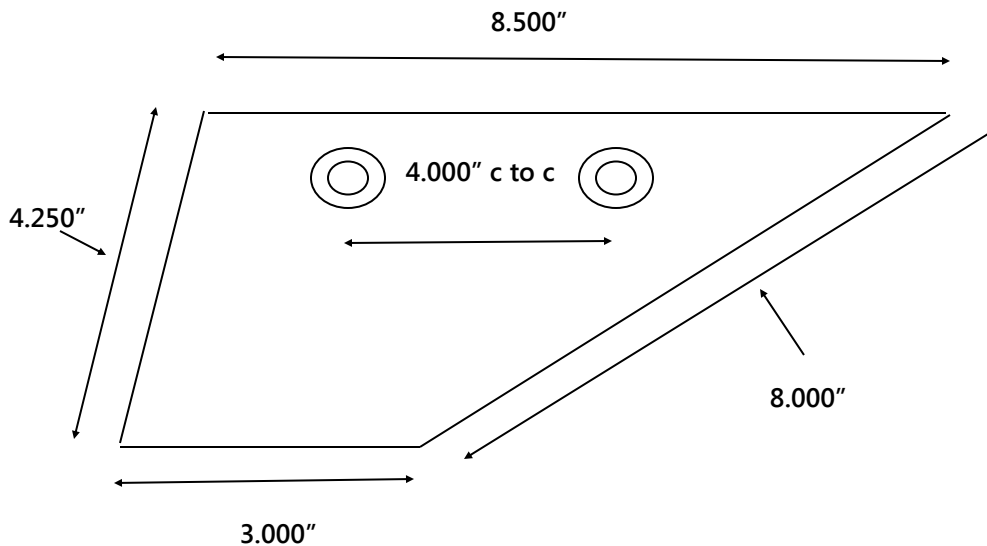


**MARINETECH
PRODUCTS, INC.**

Safe-Skeg

MODEL 35-SS705

Yamaha 40-50 HP, 2 and 4-stroke, 2001-2011



Made of 316 Marine Grade SS
1.5mm material thickness

Typical thickness of skeg
.625"

When it comes to quality boat hull and keel protectors, Panther is the brand you can depend on.