



**MARINETECH
PRODUCTS, INC.**

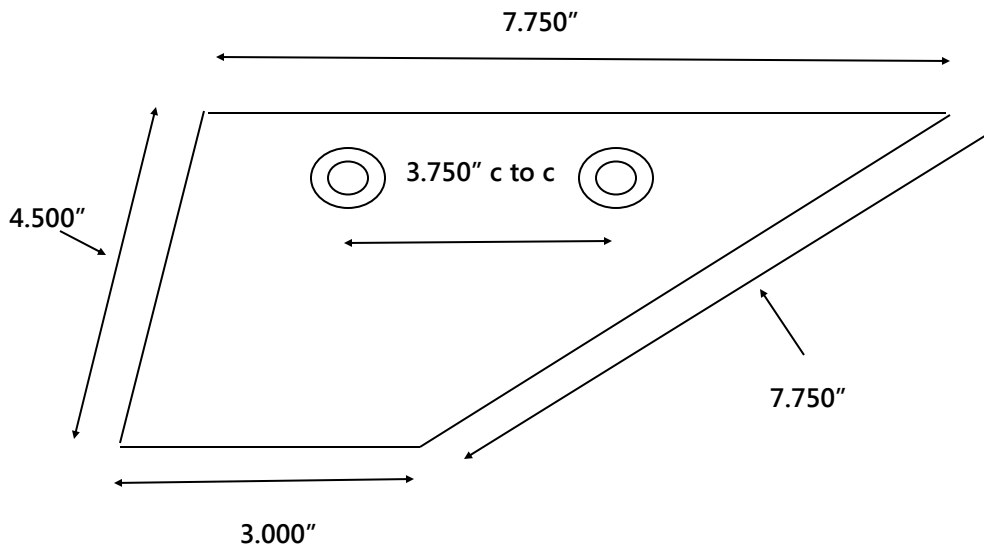
Safe-Skeg

MODEL 35-SS710



Merc/Mariner 40-50-60HP, 2 and 4-stroke, 2003-present

Evinrude/Johnson 40-50 HP, 4-stroke, 1999-2003



Made of 316 Marine Grade SS
1.5mm material thickness

Typical thickness of skeg
.625"

When it comes to quality boat hull and keel protectors, Panther is the brand you can depend on.