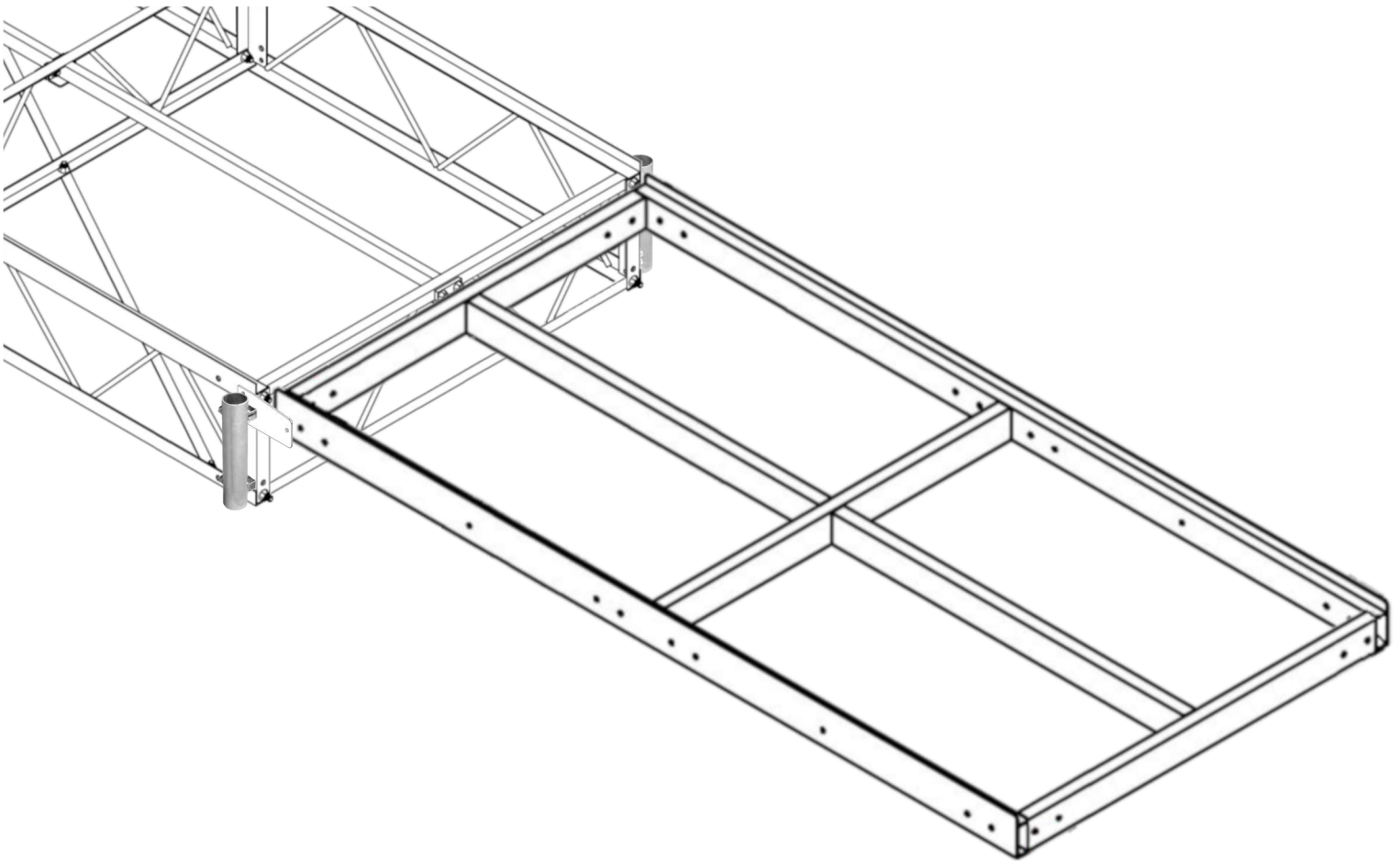




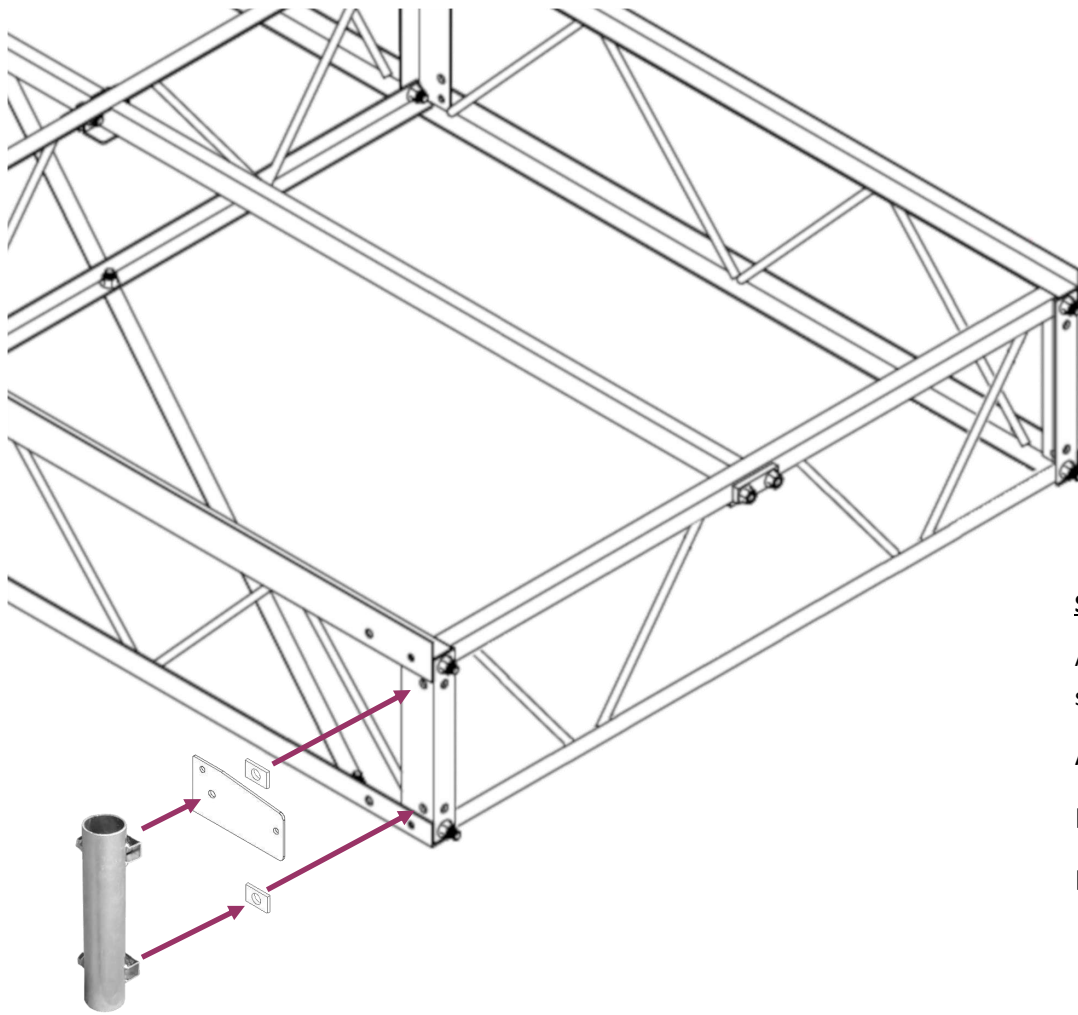
PN10834 and PN10835

Shore Ramp Kit

Installation Instructions

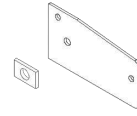


Tools Required: M14 (9/16"), M15 (5/8"), M17 (11/16") and M19 (3/4") Wrenches,  
Work Gloves and Safety Glasses.



Post Bracket

Mounting Plate



Aluminum Washer

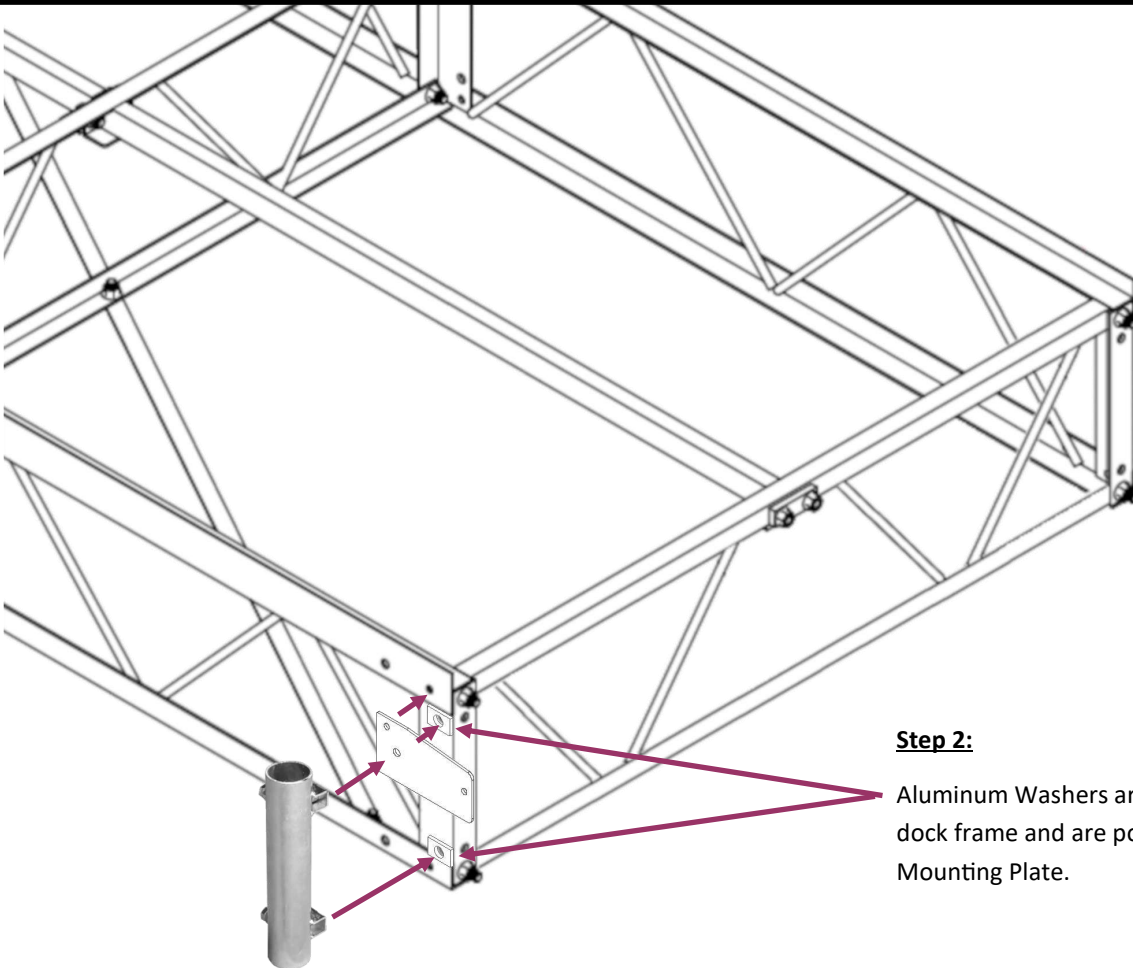
**Step 1:**

Arrange the mounting hardware as shown, the parts include:

Aluminum Washer (x4)

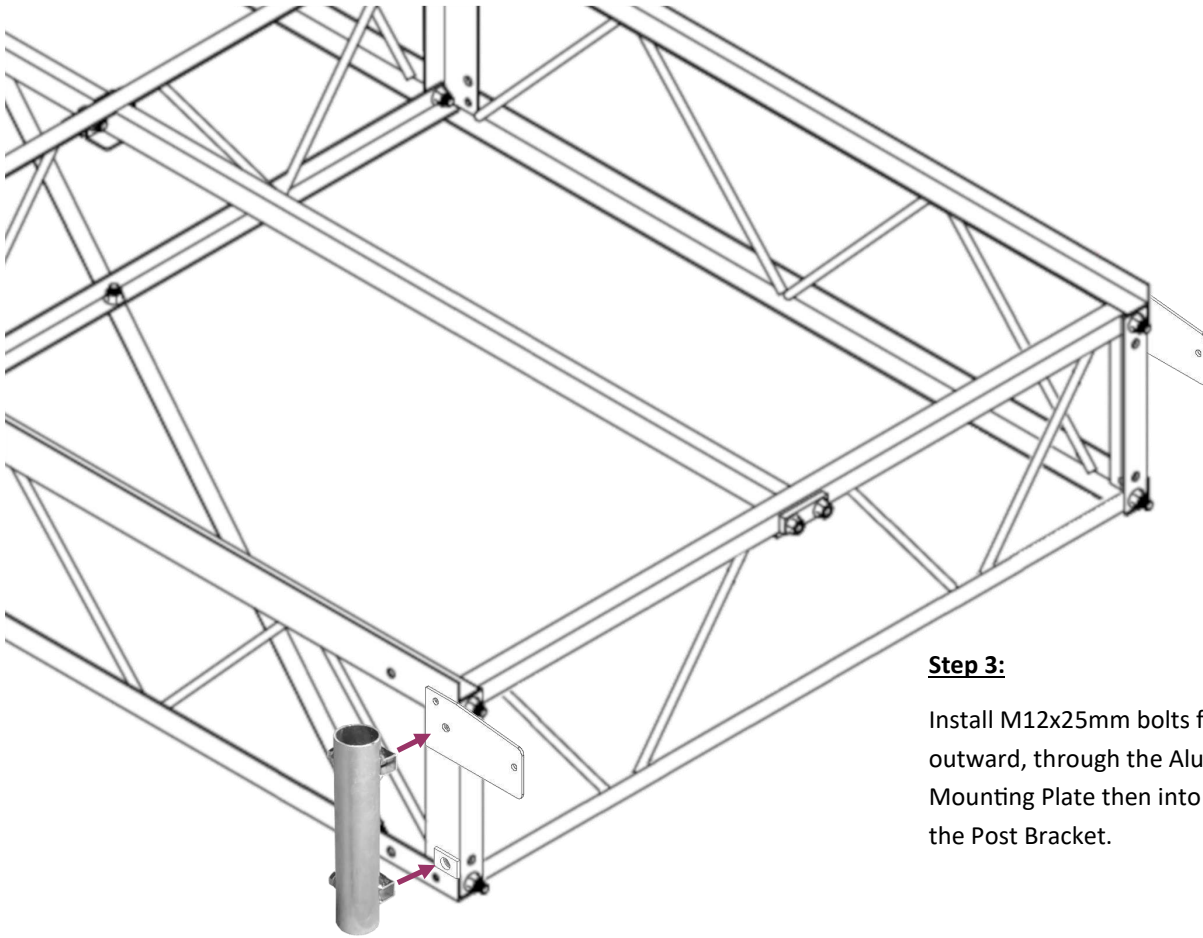
Mounting Plate (x2)

Post Bracket (x2).



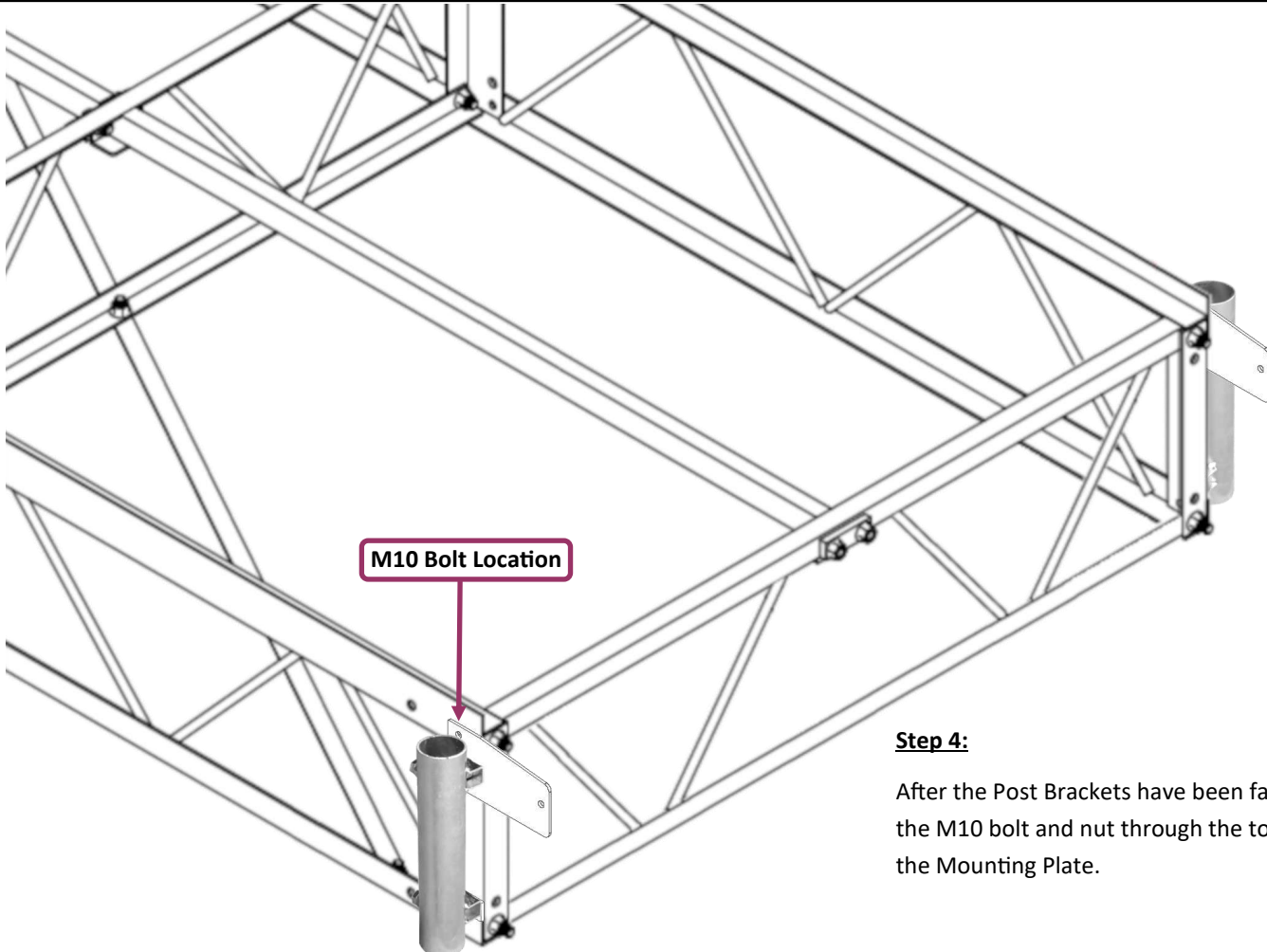
**Step 2:**

Aluminum Washers are arranged flush against the dock frame and are positioned on the inside of the Mounting Plate.



**Step 3:**

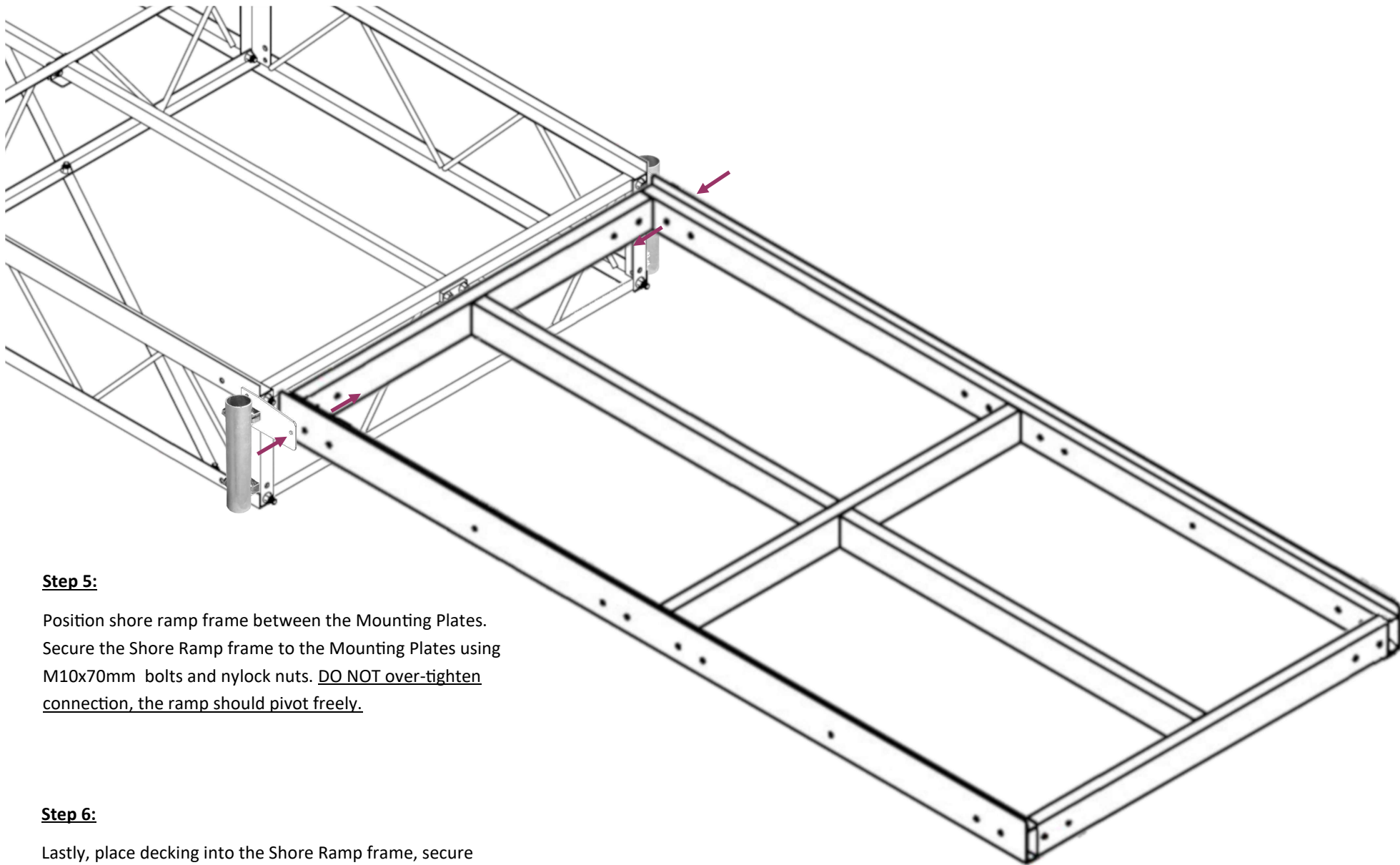
Install M12x25mm bolts from the inside of the frame outward, through the Aluminum Washer and Mounting Plate then into the M12 nut housings on the Post Bracket.



**M10 Bolt Location**

**Step 4:**

After the Post Brackets have been fastened, install the M10 bolt and nut through the top 10mm hole in the Mounting Plate.



**Step 5:**

Position shore ramp frame between the Mounting Plates. Secure the Shore Ramp frame to the Mounting Plates using M10x70mm bolts and nylock nuts. DO NOT over-tighten connection, the ramp should pivot freely.

**Step 6:**

Lastly, place decking into the Shore Ramp frame, secure in place as necessary. If aluminum decking, install deck cushion on ramp frame before installing decking.