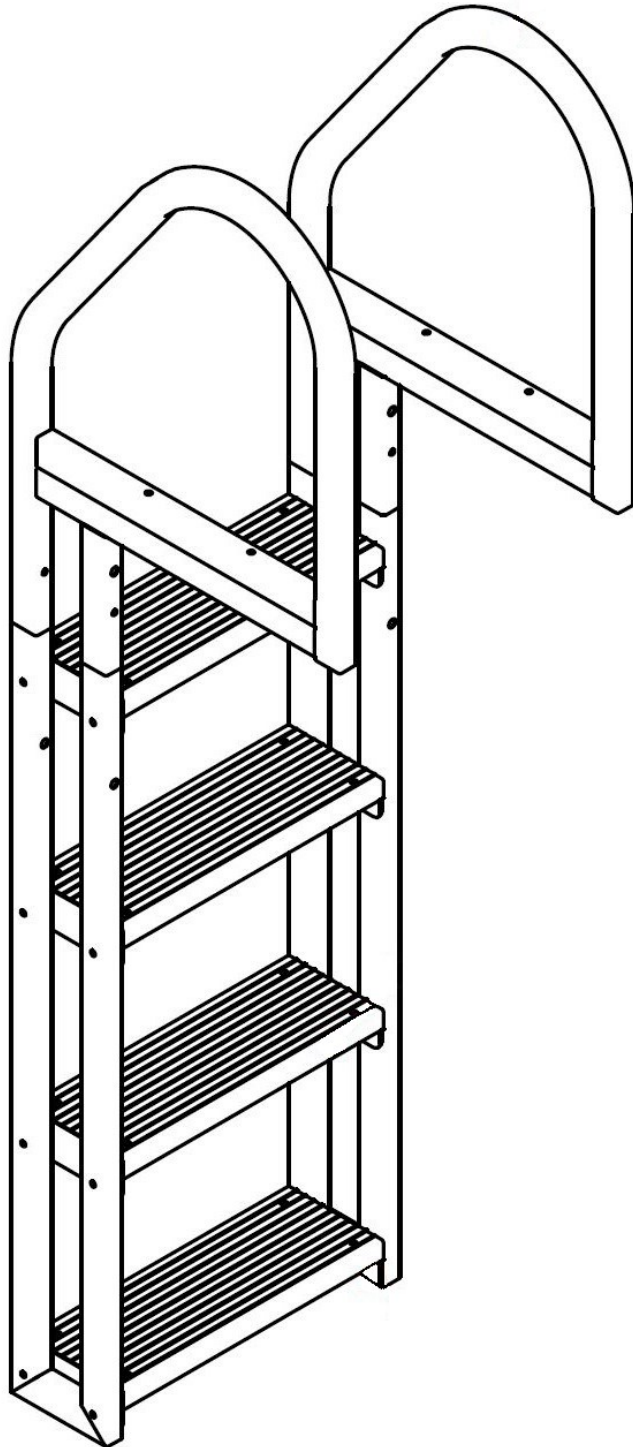


Patriot Dock

PN10827 4-Step Ladder  
Assembly and Installation Instructions

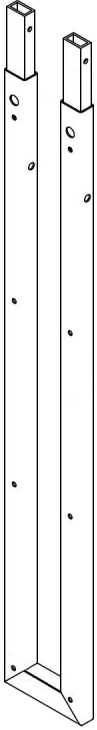


Tools Required: Cordless Drill with 3/8" drill bit, phillips head screw driver, pliers, M10 and M15 wrenches

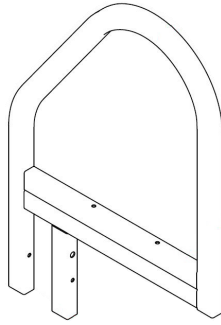
Requires mounting holes in dock frame be drilled out.

## Parts List

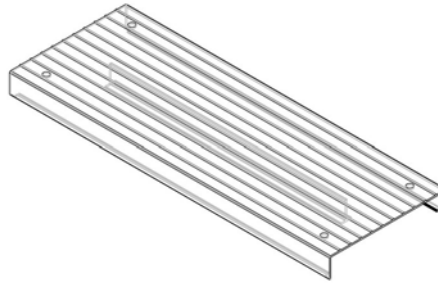
Ladder Frame x2



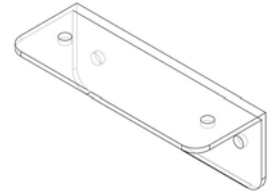
Shepherd Handle x2



Step Board x4



Step Bracket x8



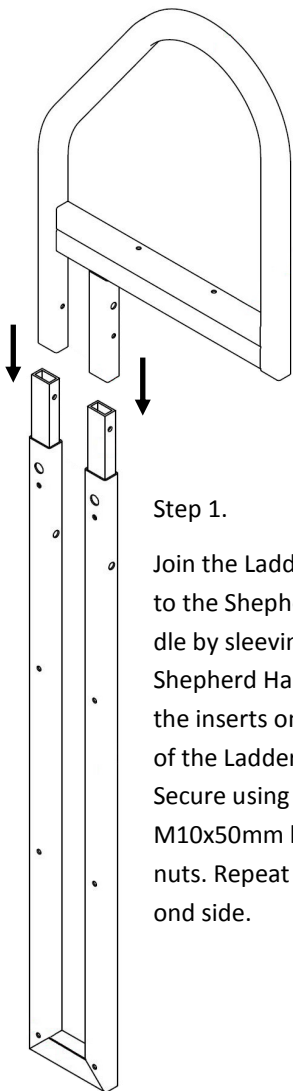
## Assembly Hardware

16 - M6x20mm - Fastens Step Board to Step Bracket

16 - M6x40mm - Fastens Step Bracket to Ladder Frame

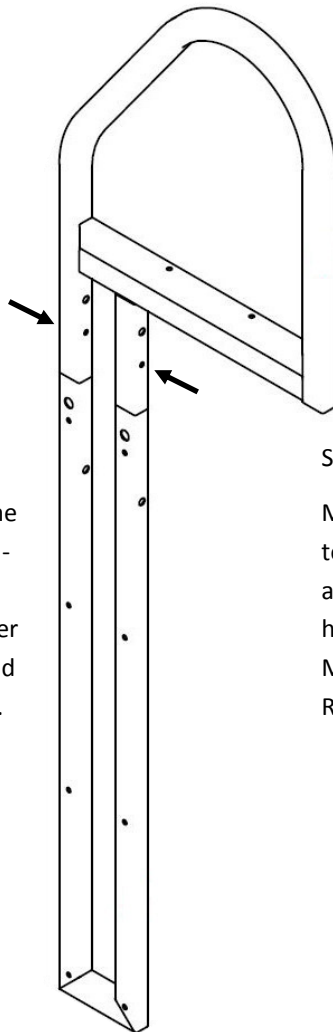
4 - M6x50mm - Secures Ladder Frame to Shepherd Handle

4 - M10x60mm - Mounting assembled ladder to dock frame



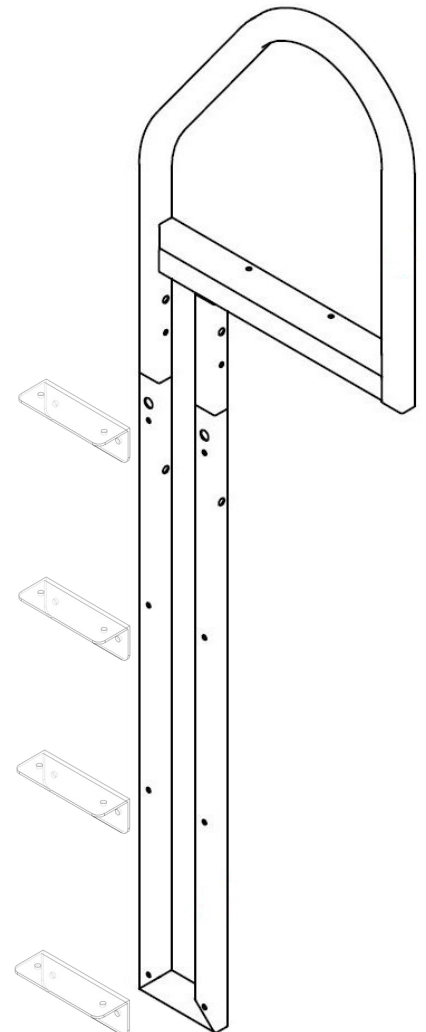
### Step 1.

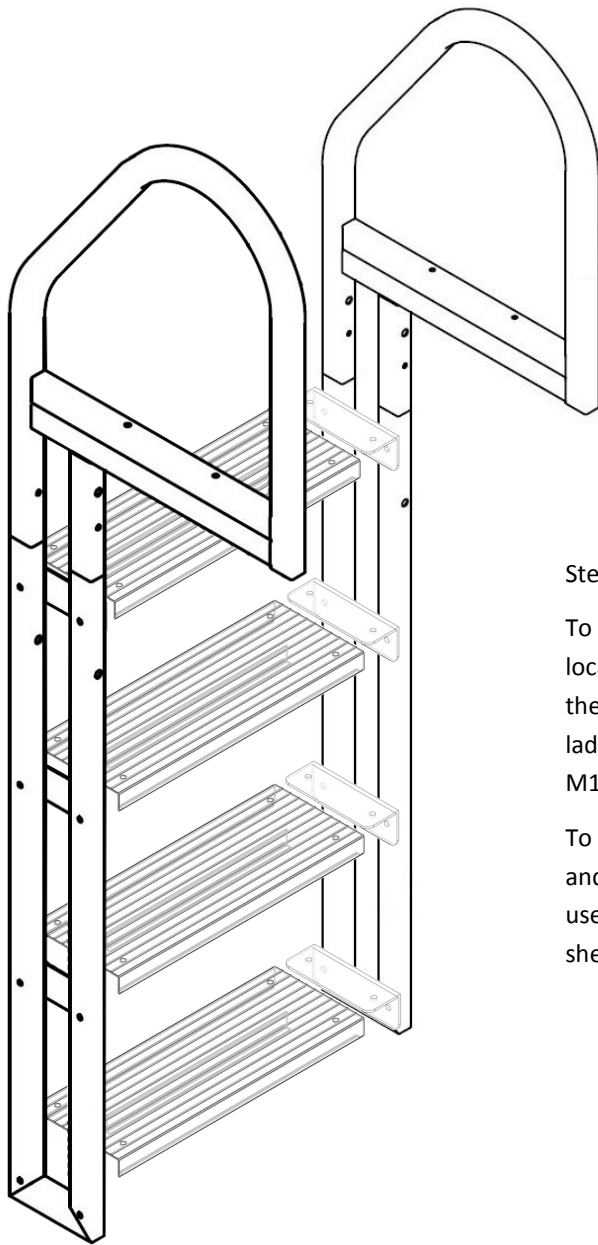
Join the Ladder Frame to the Shepherd Handle by sleeving the Shepherd Handle over the inserts on the end of the Ladder Frame. Secure using two M10x50mm bolts/nuts. Repeat for second side.



### Step 2.

Mount the Step Brackets to the Ladder Frame by aligning the pre-drilled holes and fastening with M6x40mm bolts/nuts. Repeat for second side.





**Step 3.**

The Step Board sleeves over the Step Bracket and is fastened using two M6x20mm bolts/nuts on each side of the Step Board. Attach each Step Board to one of the Side Frame assemblies then position the second Side Frame assembly inside the Step Boards, tighten all fasteners to complete assembly.

**Step 4.**

To mount the 4-Step Ladder to a Patriot dock, first choose the desired location and align one side with the 3/8" holes in the vertical angle on the truss side frame. Mark the hole locations on the opposite side of the ladder, set ladder aside and drill 3/8" holes. Mount ladder using four M10x60mm mounting bolts through the truss side frame of the dock.

To mount the 4-Step Ladder to a wooden dock, choose desired location and either mark and pre-drill 3/8" holes for mounting with bolts/nuts or use 3/8" lag screws. The 4-Step Ladder also has mounting holes in the shepherd handles for fastening to the deck boards for added support.