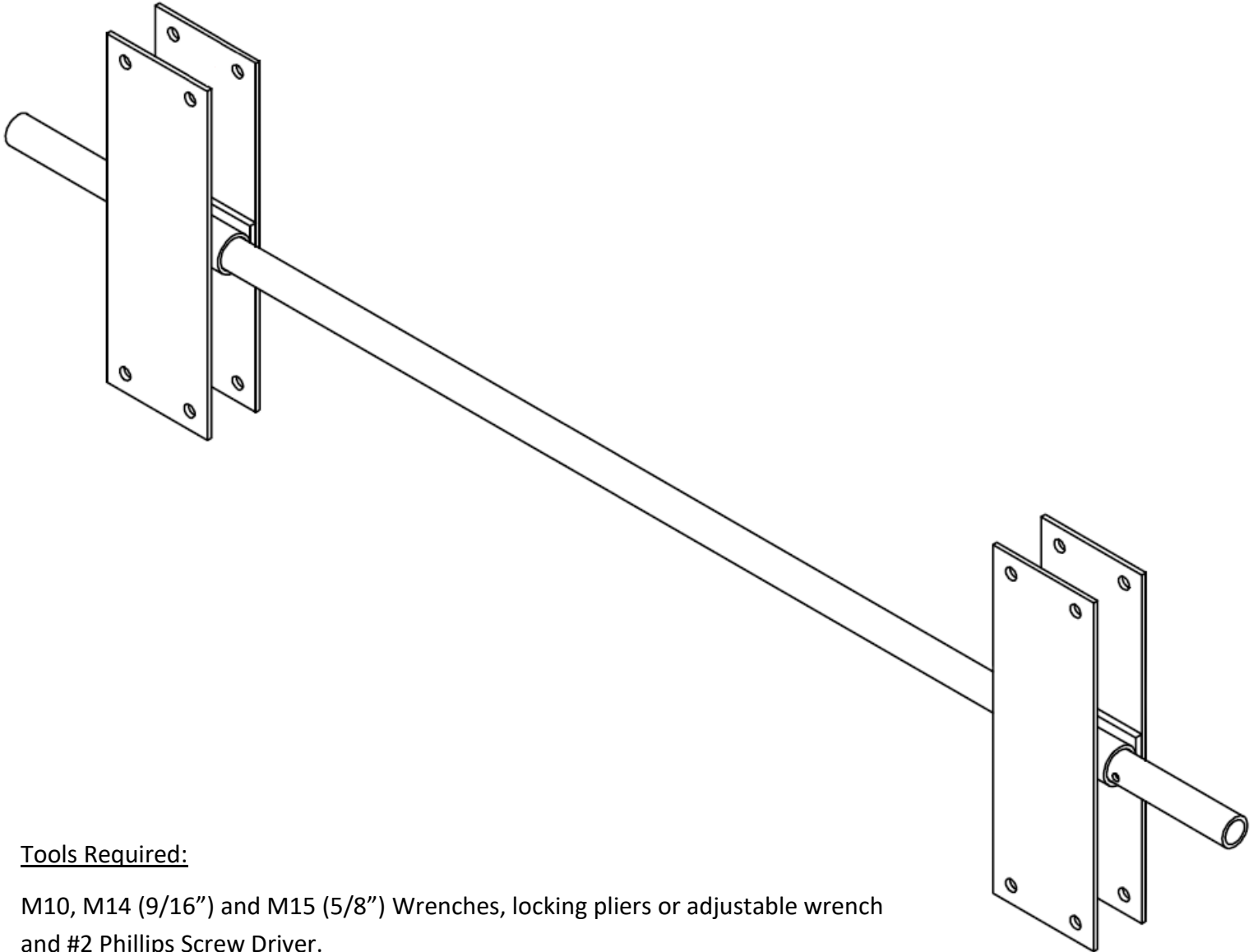




PN10845

Truss Hinge

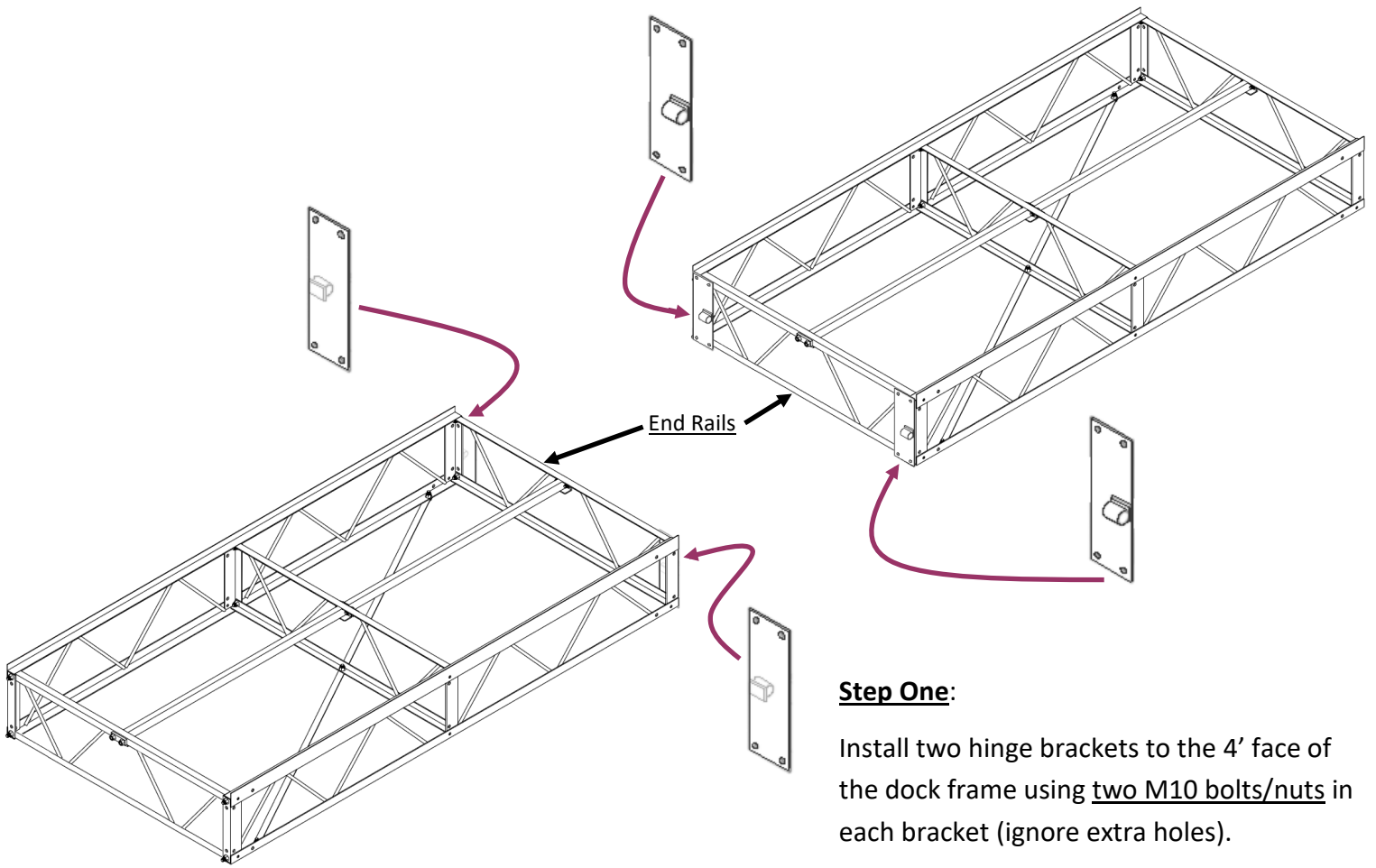
Installation Instructions



Tools Required:

M10, M14 (9/16") and M15 (5/8") Wrenches, locking pliers or adjustable wrench and #2 Phillips Screw Driver.

NOTE Each Patriot frame being joined together by the hinge must have a PN10803 End Rail installed on each side of the joint.



Step One:

Install two hinge brackets to the 4' face of the dock frame using two M10 bolts/nuts in each bracket (ignore extra holes).

Step Two:

Bring the frames together and align the hinge brackets.

Insert the hinge pipe through the sleeves on the hinge plates.

Secure in place by inserting the M6 bolt/nylock nut through the pre-drilled holes in the hinge pipe.

