

PERKO®

Cat. No. 0170 Series Navigation Lights

For use on sail or power driven vessels under 20 meters (65.6 ft.) in length. Note: The Bi-Color lights are certified for A-16 Replacement Use ONLY on vessels built prior to 11/1/03.

Mounting:

- A). Consider the location of the light to give:
 - i) Correct positioning of the light on the boat and
 - ii) The most convenient positions for cleaning and bulb changing.
- B). Mount the red (port) and green (starboard) sidelights accurately vertical in the same thwartship plane and at the same height above the waterline at least one meter below the masthead light.

Installation Instructions

- A). Unscrew and remove lens assembly.
- B). Pierce gasket in base assembly and thread cables through.
- C). Mount base assembly using only round head or pan head screws (screw diameter 5mm or No. 10 wood screw) DO NOT use counter sunk screws.
- D). Place silicone sleeves over cables.
- E). Strip cable ends and connect under clamping washers ensuring they lie clear of the bulb.
- F). Locate the lens assembly on the base. Tighten mounting screw.

Electrical Connections

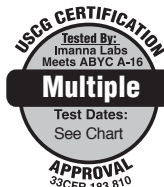
Always use cable of sufficient size to ensure total voltage drop is less than 0.5 volt for a nominal 12 volt installation or 1 volt for a nominal 24 volt installation. Recommended minimum cable size 1.5mm² (No.16AWG).

Bulbs

12V 10W cylindrical PERKO Cat. No. 0069DP0CLR (Stern & Towing).
12V 15W cylindrical PERKO Cat. No. 0070DP1CLR (Side, Bi, Mast).
24V 10W cylindrical PERKO Cat. No. 0067DP1CLR (Stern & Towing).
24V 18W cylindrical PERKO Cat. No. 0067DP2CLR (Side, Bi-Color and Masthead Lights).

Cleaning

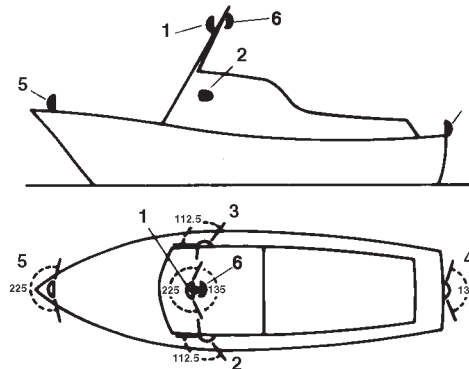
Use only fresh water and mild detergents to clean.
0170INS1



0170 Series Certifications

Light	Color	Visibility	12V	24V
			Test Date	Test Date
Masthead (_M)	White	3nm	11/19/18	12/28/18
Port (_P)	Red	2nm	11/2/18	11/30/18
Starboard (_SD)	Green	2nm	11/2/18	11/30/18
Stern (_SN)	White	2nm	11/19/18	10/22/18
Towing (_TW)	Yellow	2nm	11/30/18	12/28/18

Fig. 1



1. Masthead	White
2. Port	Red
3. Starboard	Green
4. Stern	White
5. Bi-Color	Red/Green
6. Towing	Yellow

Fig. 2

