



Fig. 0314 Series Installation and Spare Parts Manual

Pilot House Control
Solar-Ray® Sealed Beam 7" & 8" Searchlights



Fig. 0314 Pilot House Control Sealed Beam Solar-Ray® Series Installation Manual

Table of Contents

	Page
• Fig. 0314 Searchlight Installation Instructions	3
• Fig 0314 Mounting Template	4
• Fig. 0314 Spare Parts Diagram and Sealed Beam Ordering Information.....	5





**PERKO FIG. 0314 SERIES
PILOT HOUSE CONTROL SEARCHLIGHT
INSTALLATION INSTRUCTIONS**

READ ALL DIRECTIONS BEFORE PROCEEDING

- 1). Examine mounting template, and choose appropriate mounting location.
- 2). Orient the template so that desired range of horizontal motion is achieved, then use the template to drill mounting, control and wiring holes.
- 3). Loosen two control knobs (#34) on control assembly. Loosen locknut (#35) by turning counter-clockwise as viewed from the top of the light.
- 4). Loosen the two set screws (#32) on the fulcrum (#41).
- 5). Remove the control handle assembly (#36 thru #41) from the control rod by rotating the entire assembly around the control tube. Simultaneously remove the locknut.
- 6). Do not attempt to remove the control tube & rod. (#31)
- 7). Install mounting gasket by sliding it up the control rod to the base.
- 8). Mount light from above, lowering control tube & rod through the deck.
- 9). Make electrical supply connections in accordance with A.B.Y.C. Standard E-9* and U.S. Coast Guard Safety Standards for Boat Electrical Systems*.
- 10). Fasten to deck with #8 oval head screws.
- 11). Install ceiling plate.
- 12). Re-install handle assembly. Note that the two set screws (#32) are for retention only and should be snug, but loose enough for the fulcrum to rotate. Adjust control tension with the two control knobs (#34).
- 13). To align handle position with searchlight direction: loosen lock nut (#35), twist handle assembly to desired position and re-tighten the lock nut.

**Fig. 0314 Searchlight
MOUNTING TEMPLATE**

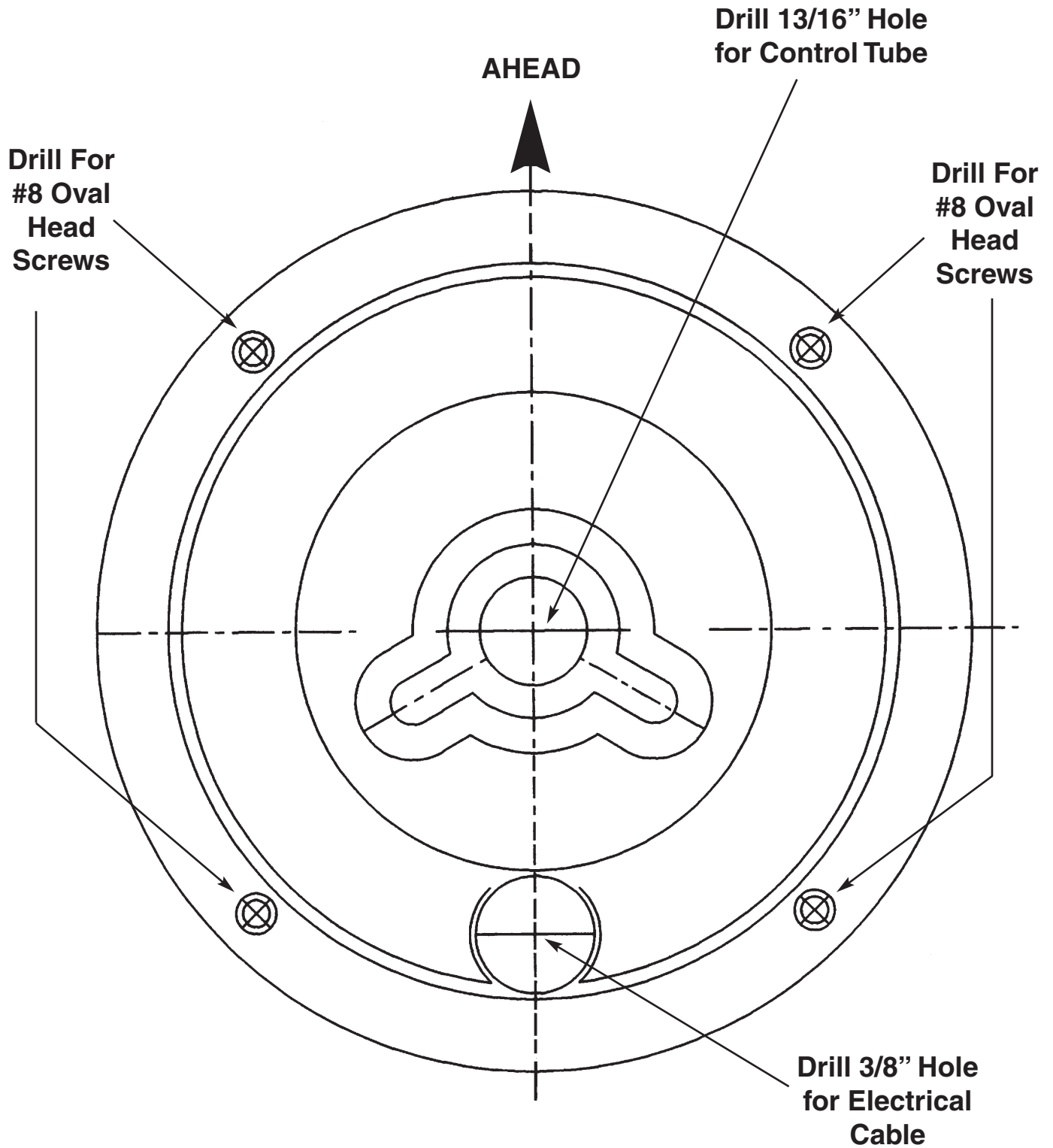
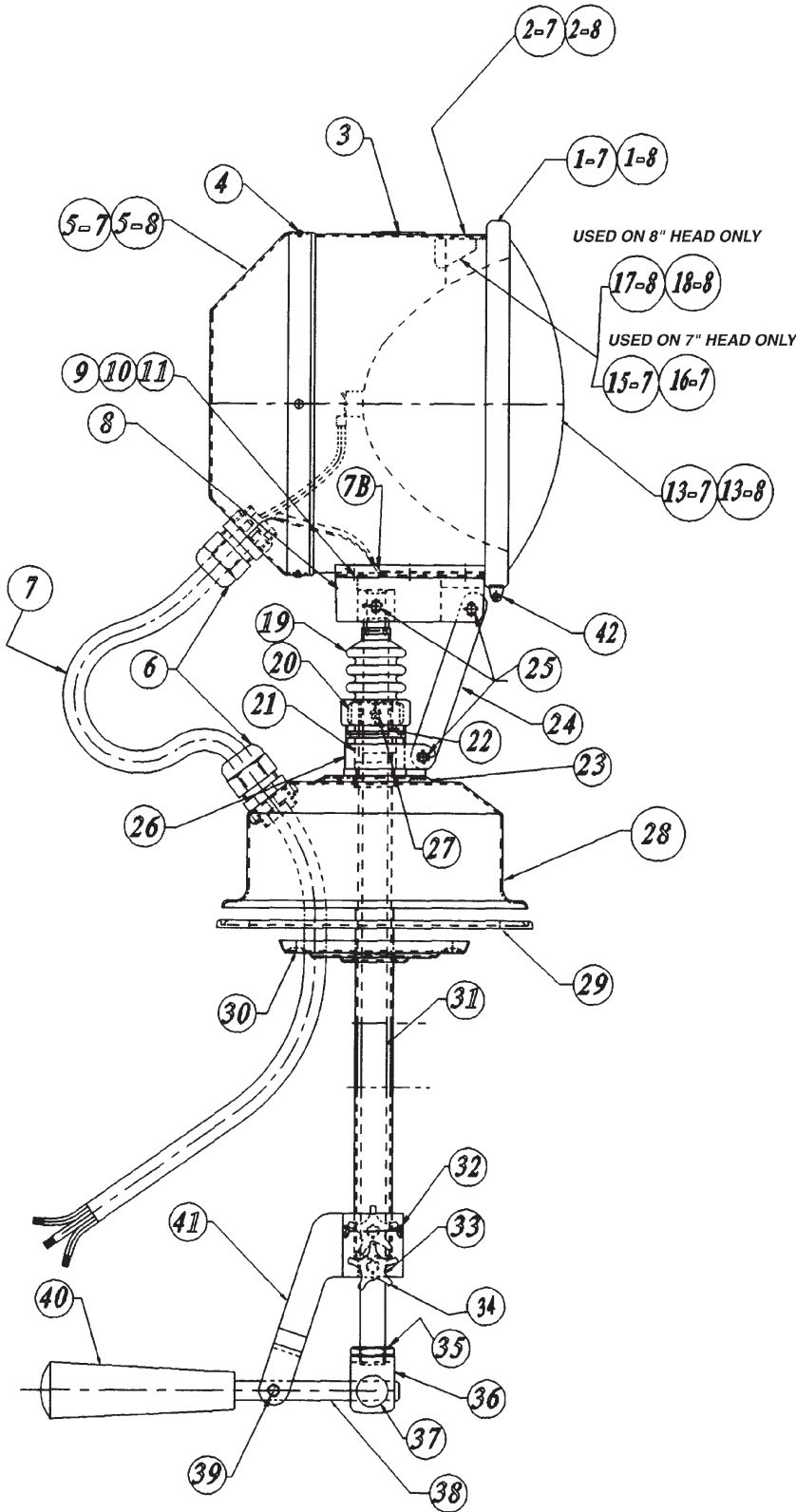


Fig. 0314 - 7 inch & 8 inch Spare Parts Diagram and Sealed Beam Ordering Information

Bill of Materials



Item	Cat. No.	Description	Qty.
1-7	0314SPRC17	Front Ring (7")	1
1-8		Front Ring (8")	1
2-7		Housing Assembly (7")	1
2-8		Housing Assembly (8")	1
3		Label, Perko	1
4		Screw (Rear Cover Retainer)	4
5-7		Back Cover (7")	1
5-8		Back Cover (8")	1
6	0314SPR006	Gland	2
7	0314SPR007	Cord Assembly	1
8		Drum Bracket	1
9		Screw (Drum Bracket Retainer)	4
10		Nut (Drum Bracket Retainer)	4
11		Lock Washer (Star Type)	4
13-7	See Table 1	Sealed Beam (7" Head)	1
13-8	See Table 1	Sealed Beam (8" Head)	1
14-8	0314R3299A	Resistor Assembly (not shown)	1
15-7		Bushing (7" Bulb Support)	4
16-7		Screw (7" Bulb Support Retainer)	4
17-8		Bulb Bracket (Used on 8" Only)	3
18-8		Rivet (Bracket Retainer 8" Head)	3
19	0314SPR019	Rubber Boot	1
20	0314SPR020	Lock Nut	1
21	0314SPR021	Bushing (Control Rod)	1
22	0314SPR022	Split Bushing (Control Bracket)	1
23	0314SPR023	Stop Collar	1
24	0314SPR024	Fulcrum Strap	1
25	0314SPR025	"Cone Point" Set Screw	6
26	0314SPR026	Control Bracket	1
27		Set-Screw (Lock Nut Retainer)	1
28	0314SPR028	Base Assembly	1
29	0314SPR029	Mounting Gasket	1
30	0314SPR030	Ceiling Plate	1
31	0314SPR031	Control Rod with Pivot Bar	1
32	0314SPR032	Set-Screw ("Dog Point")	2
33	0314SPR033	Split Bushing (Fulcrum)	1
34	0314SPR034	Knob Assembly	2
35	0314SPR035	Nut, Control Rod	1
36	0314SPR036	Yoke	1
37	0314SPR037	Pivot Bearing	1
38	0314SPR038	Handle Rod	1
39	0314SPR039	Screw and Nut	1
40	0314SPR040	Control Handle	1
41	0314SPR041	Fulcrum	1
42	0314SPR042	Screw (Front Ring Retainer)	1

Table 1 - Sealed Beam Numbers

S I Z E		12V Nom	24V Nom	32V Nom
	7"	4543	4541	200 Par56
8"	4715	4559	4559*	

* Used in conjunction with resistor (Item#14-8)

Table 2 - Sealed Beam Specifications

Bulb No.	V Nom	W	A	BCP
4543	12	100	8.5	250,000
4541	24	450	19	470,000
200 Par 56	32	200	6.5	260,000
4715	12	250	21	500,000
4559	24*	600	25	600,000

* Also used for 32 Volt System in conjunction with a resistor. (32V, 600W, 19A, 600,000 B.C.P.)

Table 3 - Sealed Beam Part Numbers.

Volts	7"	8"
12V	043300312V	043300412V
24V	043300324V	043300424V
32V	043300332V	043300424V* + 0314R3299A

* Used in conjunction with resistor (Item#14-8)

PERKO®	
16490 N.W. 13th Avenue	Miami, FL 33169-5707
Date: 3/7/97	Drawn By: H. Ahmed
Scale: None	Revised: 9/21/16
Fig. 0314 Searchlight Assembly (7" & 8")	