

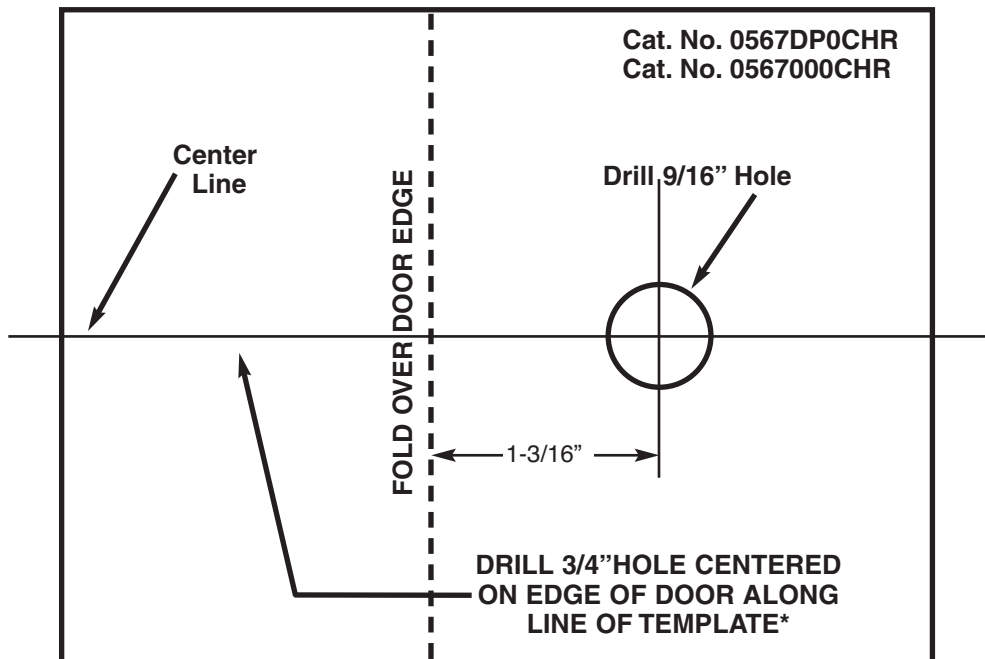
Cat. No. 0567DP0CHR Tubular Latch Set  
Cat. No. 0567000CHR Tubular Latch Set

## MOUNTING INSTRUCTIONS

This tubular latch set is designed to be mounted in doors 1 inch to 1-3/8 inches thick.

- 1). Cut out the template below.
- 2). Fold and tape on door at desired height.
- 3). Mark and drill as shown on template. Note that the 3/4" hole is a tight fit into wood, so a 25/32" clearance hole should be drilled for harder materials.
- 4). Insert tubular body into door edge. Note position of stem hole. (See exploded view).
- 5). Align and mount escutcheon plates.
- 6). Insert handle and stem. Screw on knob and fasten set screw.
- 7). Mount strike on door frame.

## MOUNTING TEMPLATE



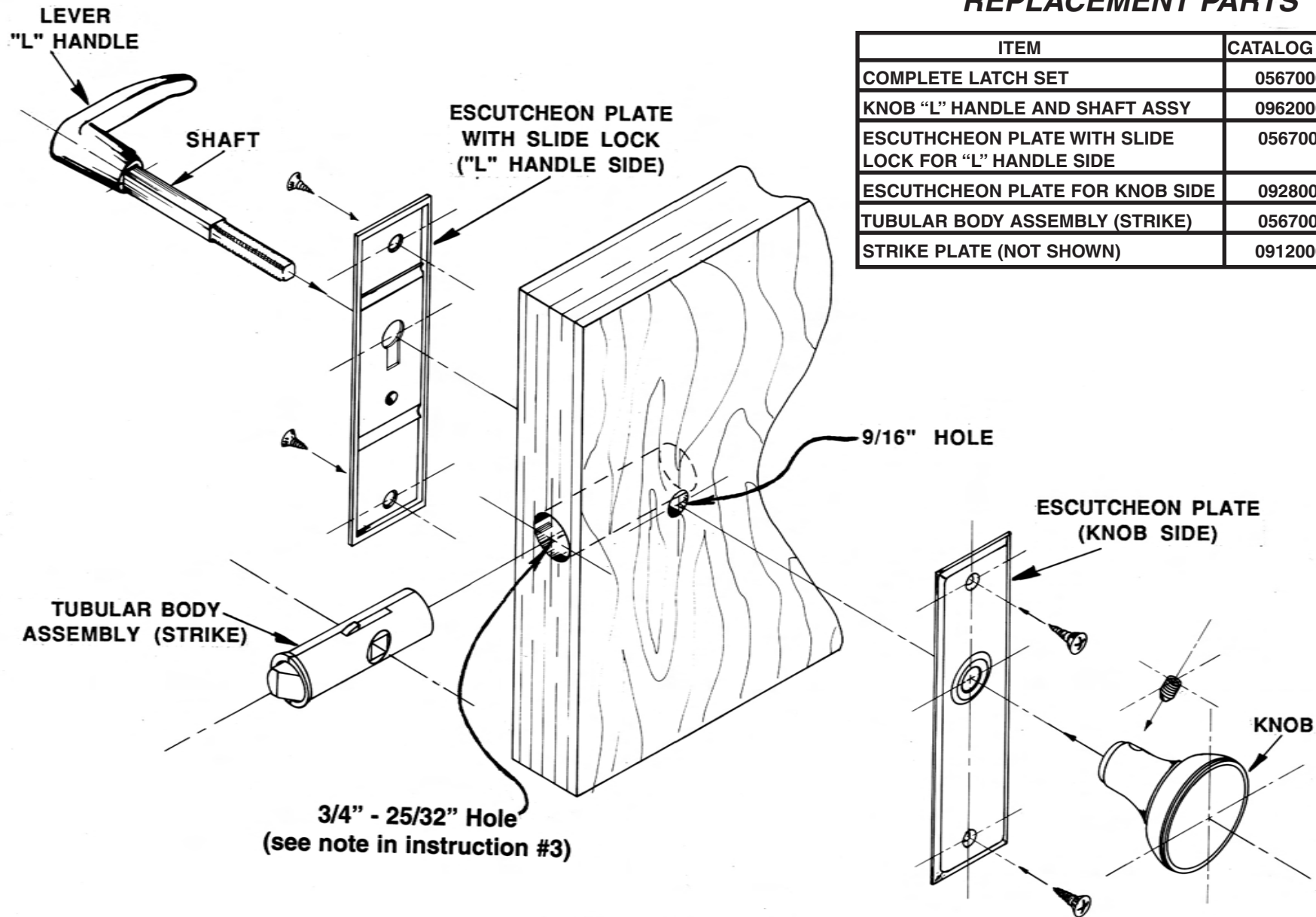
\*See Note in instruction #3.

(SEE OVER)

**EXPLODED VIEW**  
**CAT. NO. 0567DP0CHR & CAT. NO. 0567000CHR**

**REPLACEMENT PARTS**

ITEM	CATALOG NUMBER
COMPLETE LATCH SET	0567000CHR
KNOB "L" HANDLE AND SHAFT ASSY	0962000CHR
ESCUTCHEON PLATE WITH SLIDE LOCK FOR "L" HANDLE SIDE	056700088A
ESCUTCHEON PLATE FOR KNOB SIDE	092800088A
TUBULAR BODY ASSEMBLY (STRIKE)	056700088C
STRIKE PLATE (NOT SHOWN)	0912000CHR



**ALL MOUNTING SCREWS  
 ARE #6 SIZE  
 (NOT SUPPLIED)**