

PERKO®

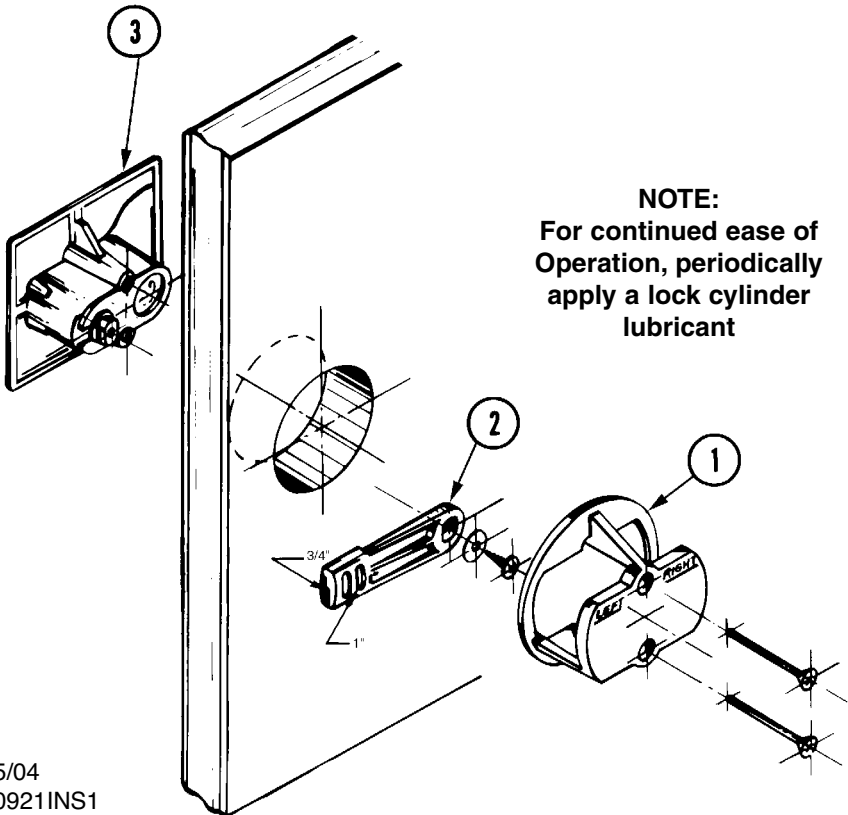
Cat. No. 0921 Series Lock Set
Cat. No. 0922 Series Latch Set

INSTALLATION INSTRUCTIONS

- 1). Using template, locate and drill (1) 1-5/8" diameter hole in door.
- 2). Remove (2) machine screws and retaining cup (Part 1).
- 3). Remove (1) self tapping screw and washer holding latch bar (Part 2).
- 4). Install Latch Body (Part 3) from outside of door, as illustrated.
- 5). Reversing steps No. 3 and No. 2 re-attach latch bar and retaining cup.

NOTE: Retaining cup is reversible to allow for mounting on righthand or lefthand doors. Illustration is for a lefthand door.

NOTE: The retaining cup (Part 1) is adjustable for door thickness of 1/2" minimum to 3/4" maximum. For mounting on doors less than 1/2" it will be necessary to add a back-up block to increase thickness to 1/2" minimum. Also note, the latch bar (Part 2) is reversible to allow for variation in thickness of door jam.



5/04
0921INS1

Cat. Nos: 0921000CHR
0921DP0CHR
0922000CHR
0922DP0CHR

1-15/32"

DRILL (1) HOLE
1-5/8" DIAMETER

FOLD HERE

