

PERKO®

- Cat. No. 0931#1 Series Lock With Flush Cam Bar And Flexible Strike Plate.*
- Cat. No. 0931#2 Series Lock With Offset Adjustable Cam Bar.*
- Cat. No. 0931#3 Series Lock With Straight Cam Bar.*
- Cat. No. 0932#1 Series Latch With Flush Cam Bar And Flexible Strike Plate.*
- Cat. No. 0932#2 Series Latch With Offset Adjustable Cam Bar.*
- Cat. No. 0932#3 Series Latch With Straight Cam Bar.*
- Cat. No. 1089#1 Series Optional Weatherproof Cover - See Back*

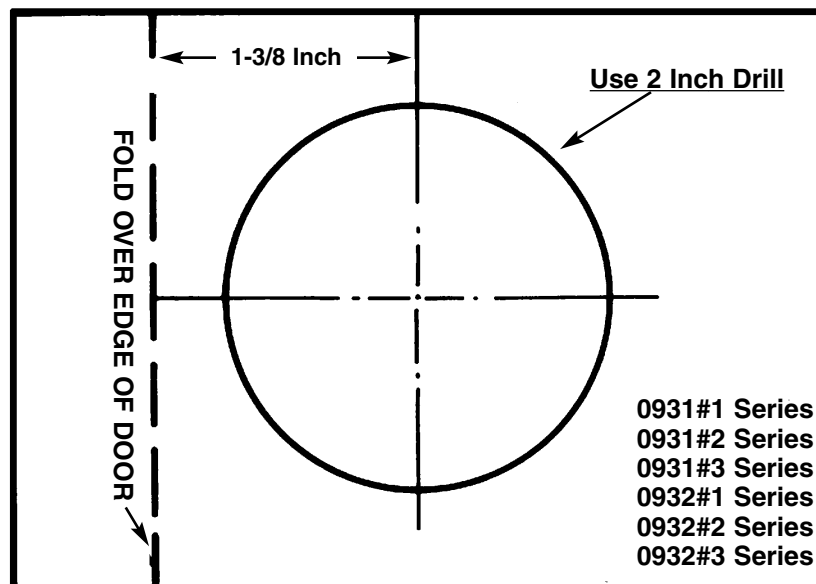
MOUNTING INSTRUCTIONS

These locks or latches are designed to be mounted through doors from 1/4 inch to 1-1/8 inches thick. The cam bars are adjustable to a maximum of 3 inches from the mounting surface. (The optional strike plate is supplied only with style #1).

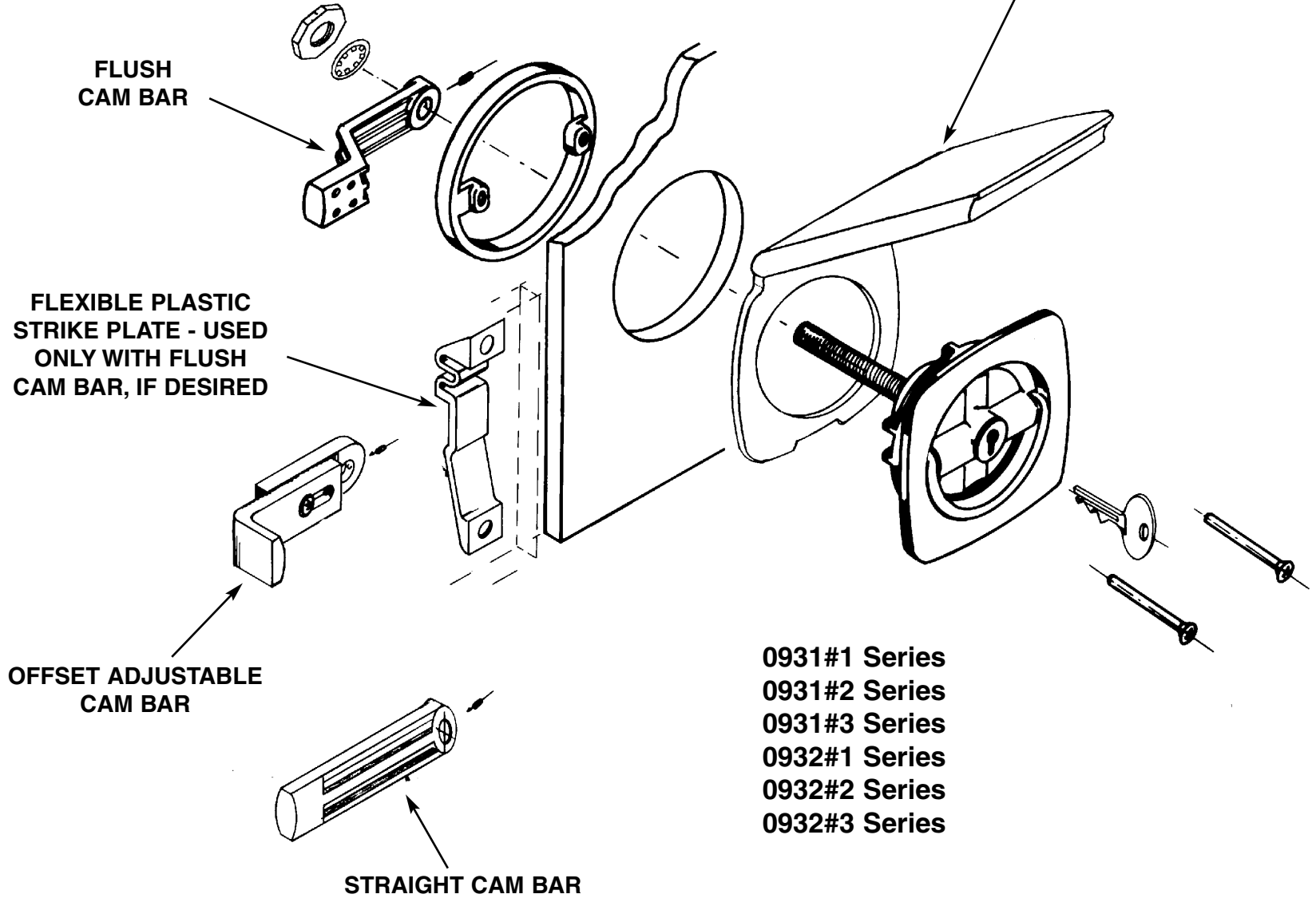
- 1). Cut out template below. Fold on dotted line. Place on door at desired height with folded tab overlapping edge.
- 2). Mark center of hole for drilling.
- 3). Drill 2 inch hole through door.
- 4). Insert lock or latch through hole in door with mounting screw holes in a horizontal position and attach back up ring from inside.
- 5). Mount strike plate (if desired) on suitable surface.
- 6). Re-assemble cam bar with proper adjustment. Tighten set screw and locking nut with lock washer.

Note: For continued ease of operation, periodically apply a lock cylinder lubricant.

MOUNTING TEMPLATE



**NOTE: OPTIONAL WEATHERPROOF COVER,
CAT. NO. 1089 #1 SERIES**



**FLUSH
CAM BAR**

**FLEXIBLE PLASTIC
STRIKE PLATE - USED
ONLY WITH FLUSH
CAM BAR, IF DESIRED**

**OFFSET ADJUSTABLE
CAM BAR**

STRAIGHT CAM BAR

**0931#1 Series
0931#2 Series
0931#3 Series
0932#1 Series
0932#2 Series
0932#3 Series**