



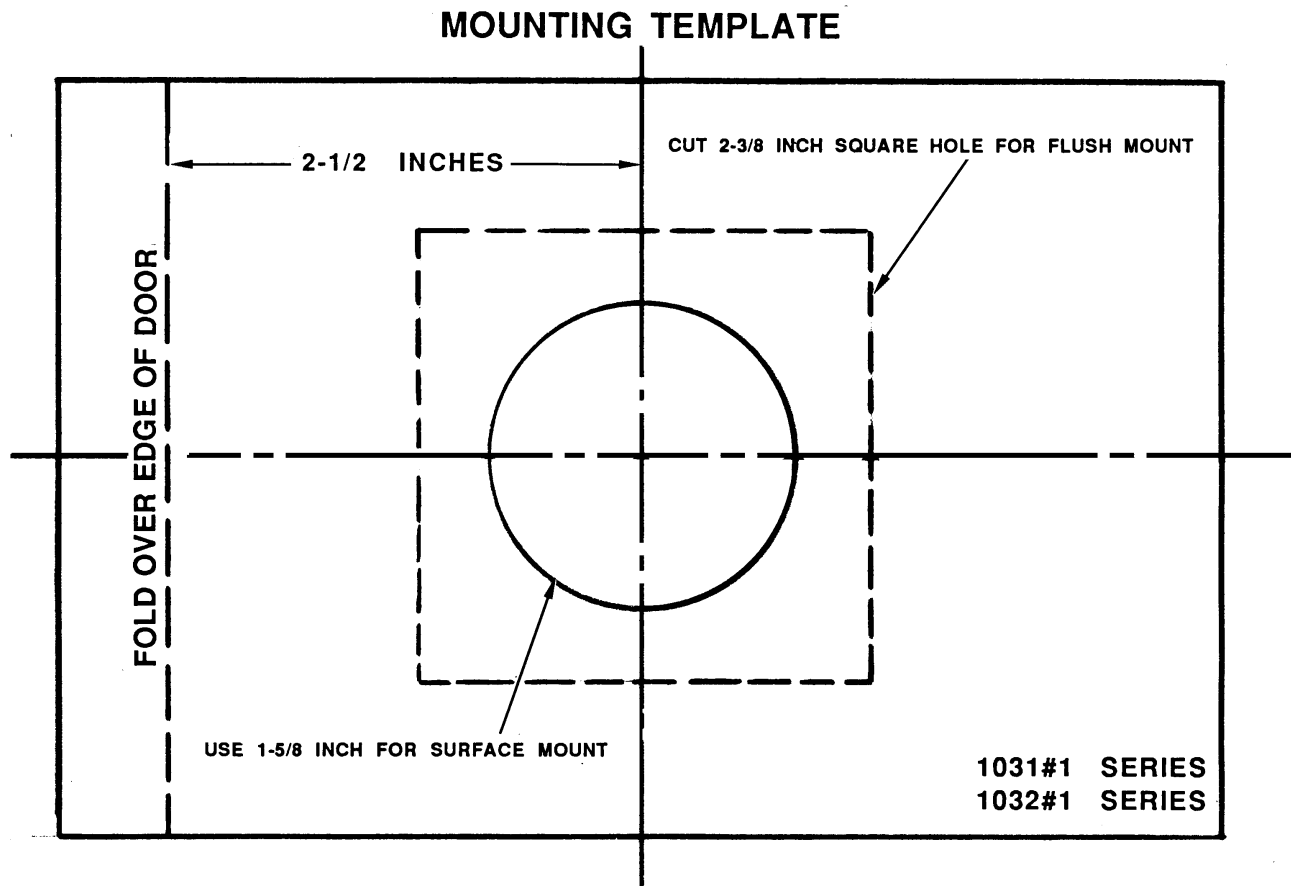
Cat. No. 1031#1 Series Lock With Flush Cam Bar.
Cat. No. 1032#1 Series Latch With Flush Cam Bar.
Cat. No. 1089#3 Series Optional Weatherproof Cover - See Back

MOUNTING INSTRUCTIONS

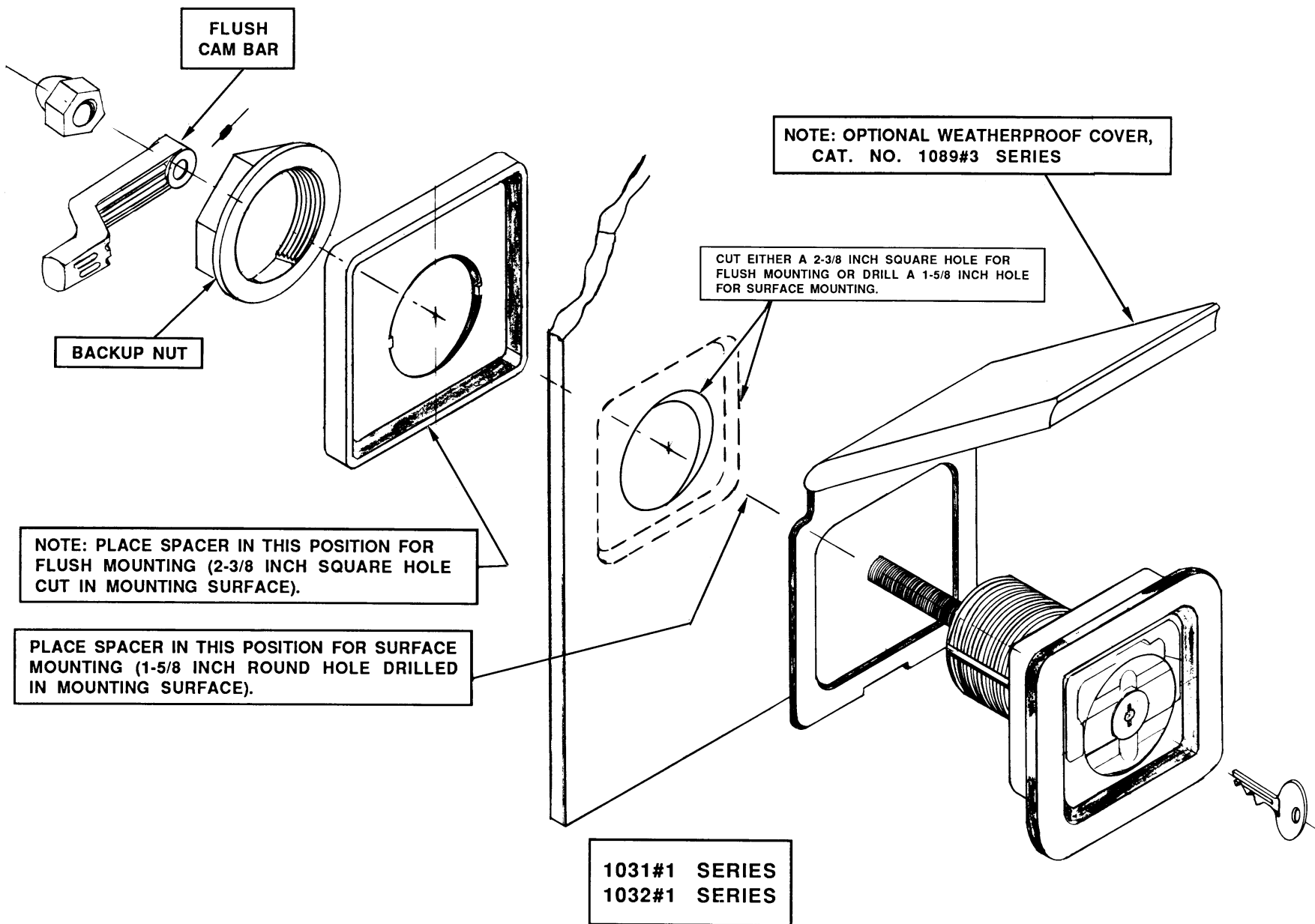
These locks or latches are designed to be mounted through doors from 1/8 inch to 3/4 inch thick. The cam bars are adjustable to a maximum of 3 inches from the mounting surface.

- 1). Cut out template below. Fold on dotted line. Place on door at desired height with folded tab overlapping edge.
- 2). Mark center of hole for drilling.
- 3). For surface mounting, drill 1-5/8 inch hole through door. For flush mounting, cut 2-3/8 inch square hole through door.
- 4). Note orientation and positioning of spacer (see diagram on back), depending on whether to be surface or flush mount.
- 5). Insert lock or latch through hole in door with spacer (and optional weatherproof cover) and attach back-up nut.
- 6). Re-assemble cam bar with proper adjustment. Tighten set screw and locking nut with lock washer.

Note: For continued ease of operation, periodically apply a lock cylinder lubricant.



(See Over)



**FLUSH
CAM BAR**

BACKUP NUT

**NOTE: OPTIONAL WEATHERPROOF COVER,
CAT. NO. 1089#3 SERIES**

**CUT EITHER A 2-3/8 INCH SQUARE HOLE FOR
FLUSH MOUNTING OR DRILL A 1-5/8 INCH HOLE
FOR SURFACE MOUNTING.**

**NOTE: PLACE SPACER IN THIS POSITION FOR
FLUSH MOUNTING (2-3/8 INCH SQUARE HOLE
CUT IN MOUNTING SURFACE).**

**PLACE SPACER IN THIS POSITION FOR SURFACE
MOUNTING (1-5/8 INCH ROUND HOLE DRILLED
IN MOUNTING SURFACE).**

**1031#1 SERIES
1032#1 SERIES**