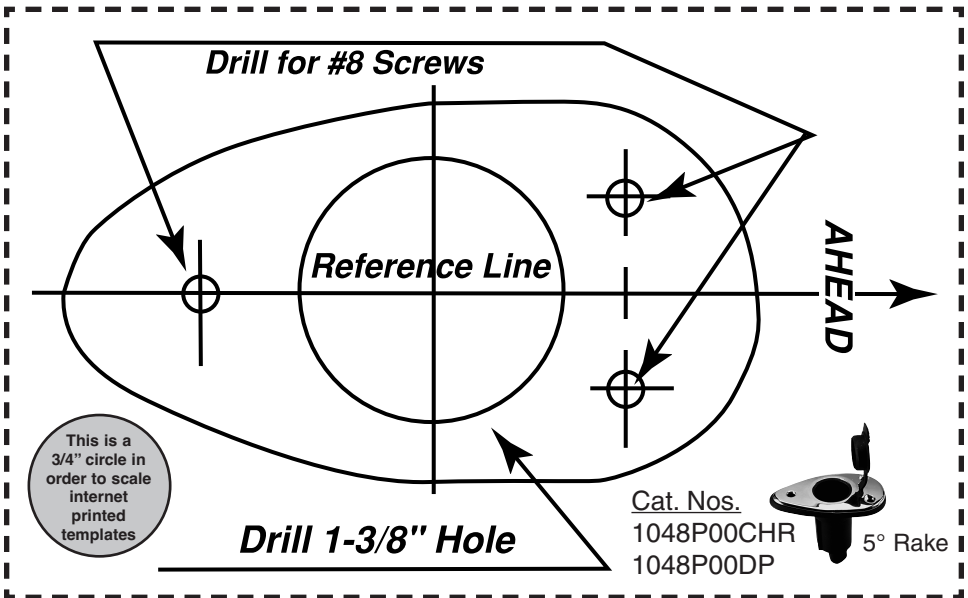


### MOUNTING INFORMATION

Read all instructions before proceeding.

- 1). For proper light selection, positioning and configuration, refer to A.B.Y.C. Standard A-16\*, the '72 COLREGS\*, and the U.S. Inland Rules\*.
- 2). These bases are designed to be mounted on a horizontal surface.
- 3). Place a mark at the center of the selected mounting location.
- 4). Cut out the mounting template. Place it on the mounting surface such that the reference mark (drawn above) is directly underneath the center of the template.
- 5). Drill indicated holes through the template to accommodate #8 oval head mounting screws and socket as required.
- 6). Attach supply connections to the light, making sure to wire in accordance with both A.B.Y.C. Standard E-9\* and the U.S. Coast Guard Safety Standards for Boat Electrical Systems (33 CFR 183)\*.
- 7). Mount the base in accordance with the template.
- 8). Setup for Operation: As pole engages with base, make sure alignment screw in pole slides into the notch in the base. Push pole until it engages the electrical connector and turn the collar clockwise until it threads into place and is snug onto the base.

### MOUNTING TEMPLATE



**CUT ALONG BROKEN LINE**