

Cat No. 1085 Series Locks

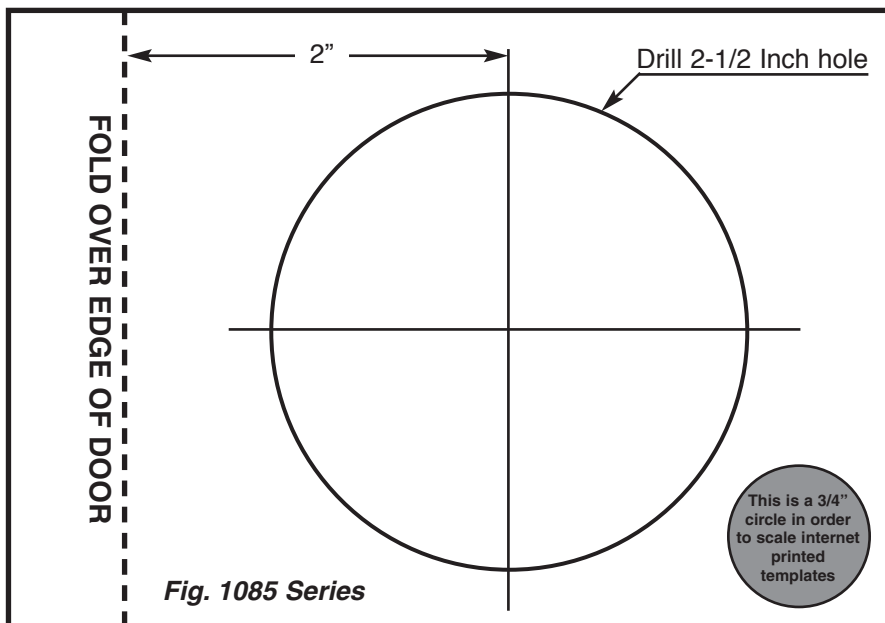
MOUNTING INSTRUCTIONS

These locks are designed to be mounted through surfaces from 1/8 inch to 3/4 inches thick. The cam bars are adjustable to a maximum of 3 inches from the mounting surface.

- 1). Cut out the template below. Fold on dotted line. Place on mounting surface at desired location with folded tab overlapping edge.
- 2). Mark center of hole for drilling.
- 3). Drill a 2-1/2 inch hole through the mounting surface.
- 4). Use mounting gasket for smooth surfaces or discard for carpeted surfaces.
- 5). Insert lock through the hole in the surface and attach spacer and back-up nut.
- 6). Re-assemble cam bar with proper adjustment. Tighten set screw and locking nut with lock washer.

Note: For continued ease of operation, periodically apply a lock cylinder lubricant.

MOUNTING TEMPLATE



**FIG 1085
LOCKS**

(SEE OVER)

PERKO®

No. 1
Offset Cam Bar

No. 3
Straight Cam Bar

No. 5 Extra Long
Straight Cam Bar

No. 4 Extra Long
Offset Cam Bar

Mounting Gasket
(For installation on
smooth surfaces)

DO NOT USE GASKET ON
CARPETED SURFACES

Fig. 1085 Series Lock Sets

Learn more about boat cabin and galley we have.