

The above lights are designed for use on sail or power driven vessels under 20 meters (65.6 ft) in length, operating at a nominal 12 volt or 24 volt system. In order to comply with '72 COLREGS and U.S. Inland Navigation Rules*, the following must be adhered to:

MOUNTING INFORMATION

Read all instructions before proceeding.

- 1). These instructions show the orientation of each light. For proper light selection, positioning and configuration, refer to A.B.Y.C. Standard A-16*, the '72 COLREGS and the U.S. Inland Navigation Rules* . These lights are supplied complete with 12 volt bulbs (Cat No. 0071DP0CLR, 12V, 10W), however, 24 volt bulbs (Cat No. 0072001CLR, 24V, 10W) are available for 24 volt systems.
- 2). These lights are designed to be mounted on a horizontal surface.
- 3). Cat. Nos. 1183000CHR, 1183DP0CHR, 1196001CHR, 1196DP1CHR, 1196002CHR and 1196DP2CHR: These lights are furnished for mounting such that the long dimension of the mounting base is parallel to the fore-aft centerline of the boat. If a mounting is desired such that the long dimension of the mounting base is perpendicular to the fore-aft centerline of the boat, substitute instruction d) below for instructions a) to c).
 - a). Draw a 4 inch long reference line through the center of the selected mounting location and parallel to the fore-aft centerline of the boat.
 - b). Cut out the mounting template below. Tape it on the mounting surface such that the reference line (drawn above) is directly underneath the reference line marked on the template.
 - c). Drill 2 holes through the template to accommodate #8 round head mounting screws. Drill one 3/8 inch hole to accommodate the electric wiring. (Proceed with instruction #5 below).
 - d). Special Instruction only for mounting with the long dimension of the mounting base perpendicular to the fore-aft centerline of the boat:
 - 1). Draw a 4 inch long reference line through the center of the selected mounting location and perpendicular to the fore-aft centerline of the boat.
 - 2). Remove the holding screw (see illustration) and rotate light assembly on the tube 90° in one direction the other until a second hole appears on the tube. Re-insert the holding screw into the Light assembly such that it enters the new tube hole to anchor the assembly 90° from its original position.
 - 3). Cut out the mounting template below. Tape it on the mounting surface such that the reference line (drawn above) is directly underneath the reference line marked on the template.
 - 4). Drill 2 holes through the template to accommodate #8 round head mounting screws. Drill one 3/8 inch hole to accommodate the electrical wiring.
- 4). Cat. No. 1197000CHR: This light is furnished with a 3/4 inch tube and is designed to be mounted vertically into a 3/4 inch hole.
- 5). Attach supply connections to the light making sure to wire in accordance with both A.B.Y.C. Standard E4* and U.S. Coast Guard Safety Standards for Boat Electrical Systems (33 CFR 183)*.

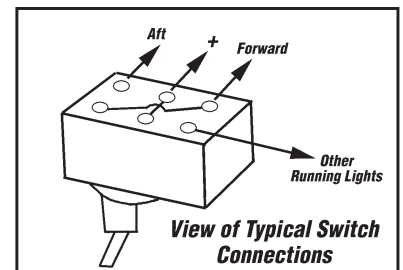
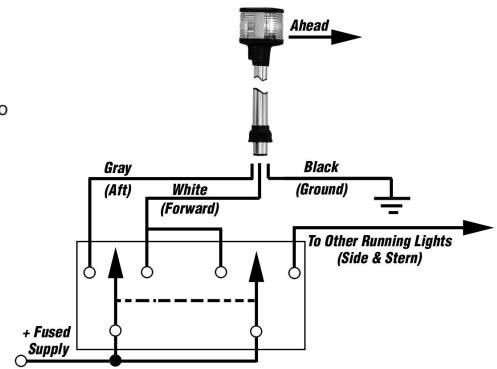
The supply leads are coded as follows:

- WHITE: Forward compartment (masthead light) positive lead supply.
- GRAY or RED: Aft compartment (when energized with the forward compartment: all-round light) positive lead supply.
- BLACK: Negative lead supply. (CAUTION: Negative lead connected to case. To avoid energizing case, observe polarity).

Electrical connections are to be made such that only the forward compartment (masthead light) is energized with the other running lights (sidelights, stern lights etc.) while underway. Both compartments are energized simultaneously by themselves to create the all-round (anchor) light. Be sure to use double-pole switches, otherwise feedback will cause all lights in the system to be energized at the wrong time. SEE WIRING DIAGRAM.

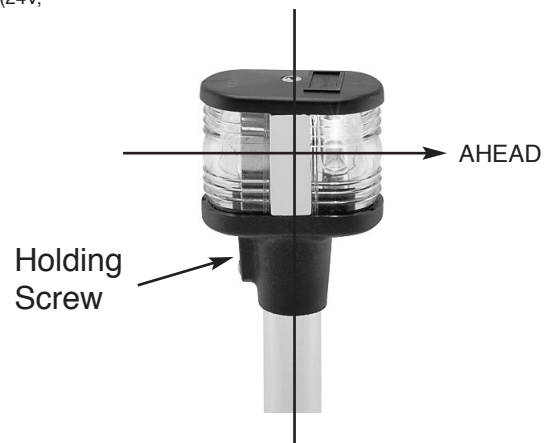
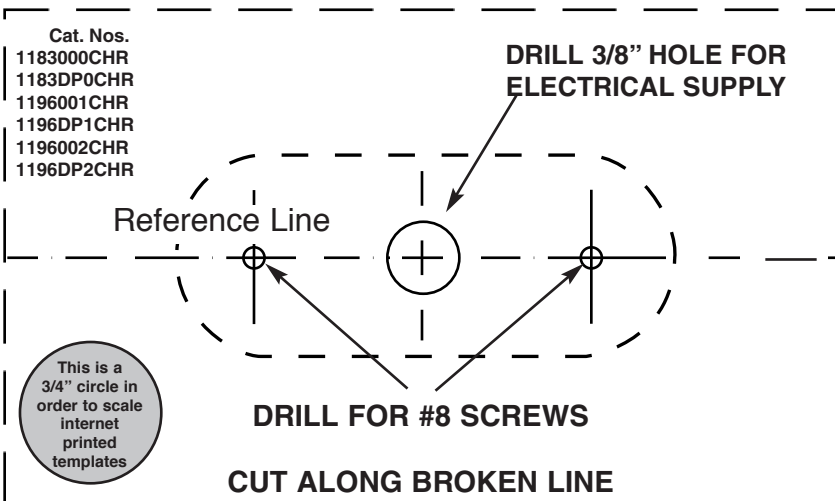
- 6). Mount the base in accordance with both the template and instruction #7 below.
- 7). Make the top of the light is vertical during operation (see illustration) and the arrow on the top cover points ahead (not astern), with the reference mark parallel to the fore-aft centerline of the boat.
- 8). Relamp only with PERKO Cat. No. 0071DP0CLR bulbs (12V, 10W) or PERKO Cat. No. 0072DP1CLR bulbs (24V, 10W) to remain in compliance.

WIRING DIAGRAM FOR COMBINATION MASTHEAD/ANCHOR LIGHTS



- Double-pole, double throw switch (center off)
- One position illuminates running lights (masthead, side & stern)
- Other position illuminates anchor light (forward & aft compartments of combination masthead/anchor light)

MOUNTING TEMPLATE



NOTE: TOP OF LIGHT MUST BE VERTICAL DURING OPERATION