

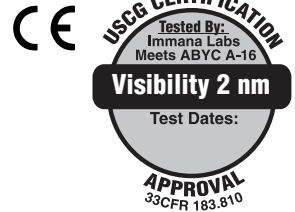
## Cat. No. 1209 White All-Round Lights (All Sizes)

The above lights are designed for use on power driven vessels under 20 meters (65.6 ft.) in length operating on a nominal 12 volt system. In order to comply with '72 COLREGS and the U.S. Inland Rules, the following must be adhered to:

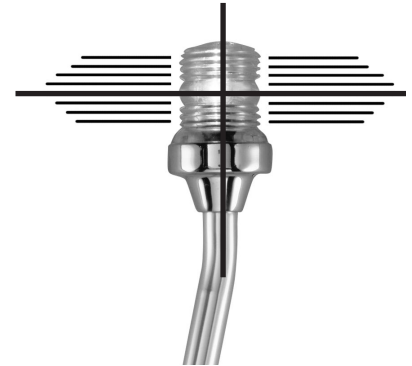
### MOUNTING INFORMATION

**Read all instructions before proceeding.**

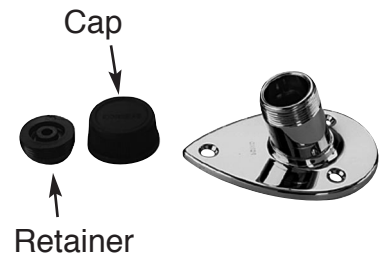
- 1). For proper light selection, positioning and configuration, refer to A.B.Y.C. Standard A-16\* the '72 COLREGS\* and the U.S. Inland Rules\*.
- 2). These lights are designed to be mounted on a horizontal surface.
- 3). Draw a 6 inch long reference line through the center of the selected mounting location and parallel to the fore-aft centerline of the boat.
- 4). Cut out the mounting template below. Tape it on to the mounting surface such that the reference line (drawn in step 3) is directly underneath the reference line marked on the template.
- 5). Drill indicated holes through the template to accommodate #8 oval head mounting screws and socket, as required.
- 6). Attach supply connections to the light, making sure to wire in accordance with both A.B.Y.C. Standard E-9\* and U.S. Coast Guard Safety Standards for Boat Electrical Systems (33 CFR 183)\*.
- 7). Mount the base in accordance with the template.
- 8). **IMPORTANT:** Globe must be vertical during operation (See Diagram #1).
- 9). Insert the pole into the base and engage the electrical connector. Tighten the black collar. A cap is provided to protect the base connector when the pole is removed. A cap retainer is also provided to hold the cap while the light is in use, and should be conveniently mounted nearby using a #10 mounting screw (5/8" min length, not included).
- 10). Relamp only with bulb type as marked on globe or inside fixture, ANSI #90 bulbs (PERKO Cat. No. 0337011DP 12V, 7W).



**DIAGRAM #1**



**Note: Globe Must Be Vertical During Operation.**



### **MOUNTING TEMPLATE**

