



Cat. No. 1279 Series Rim Latch Set (Regular Bevel with Box Strike)
Cat. No. 1280 Series Rim Latch Set (Reverse Bevel with Flush Strike)

MOUNTING INSTRUCTIONS

These Rim Latch Sets are designed to be mounted with the Cup Style Latch either flush or on the surface of doors 3/4 to 1-1/8 inches thick.

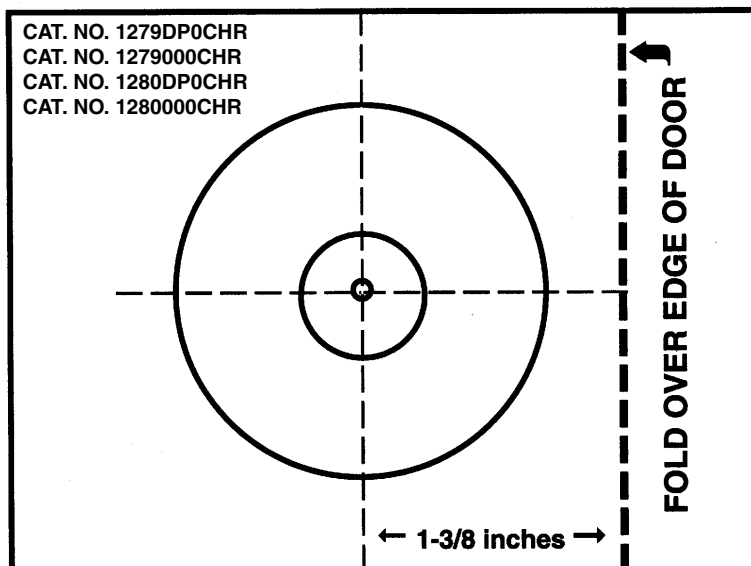
FLUSH MOUNT (Exploded View #1)

1. Cut out template below. Fold on dotted line. Place on door at desired height on side for cup latch. Folded tab should overlap edge.
2. Mark center of circles for drilling.
3. a. Drill a 2 inch diameter hole that is 5/16 inch deep (counterbore).
b. Drill a 9/16 inch diameter hole through the center.
4. Discard black plastic ring (surface mount adapter). Mount cup in 2 inch hole. Insert "D" handle with stem through hole in cup. Place rim latch over square stem on opposite side of door and mount. Install lever handle.
5. Mount strike (flush or box type) on door frame.

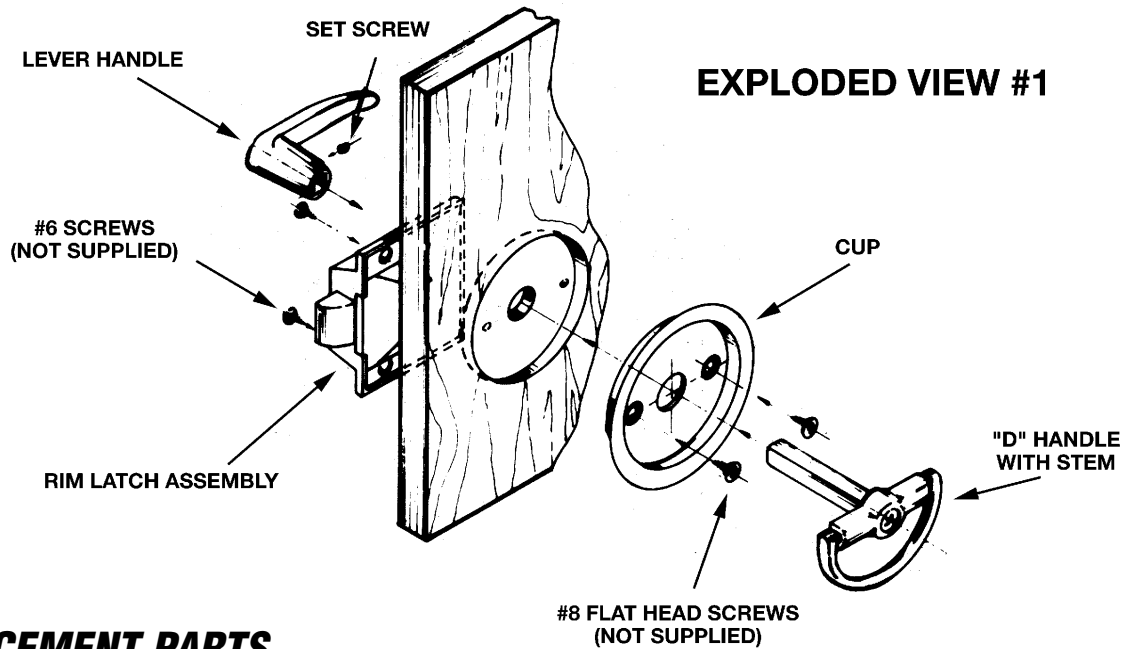
SURFACE MOUNT (Exploded View #2)

1. Cut out template below. Fold on dotted line. Place on door at desired height on side for cup latch. Folded tab should overlap edge.
2. Mark center of circles for drilling.
3. Drill a 9/16 inch hole.
4. Mount cup with surface mount adapter on door. Insert "D" handle with stem through hole in cup. Place rim latch over square stem on opposite side of door and mount. Install lever handle and lock in position with set screw.
5. Mount strike (flush or box type) on door frame.

MOUNTING TEMPLATE



(See Over)



REPLACEMENT PARTS

ITEM	CATALOG NUMBER
LEVER HANDLE	
RIM LATCH ASSEMBLY	FOR 1279000CHR 092800088B FOR 1280000CHR 093000088B
"D" HANDLE WITH STEM	
BEVEL WITH CAM (STRIKE)	FOR 1279000CHR 0984000CHR FOR 1280000CHR 0920000CHR
STRIKE PLATE (NOT SHOWN)	FOR 1279000CHR 0976000CHR FOR 1280000CHR 0912000CHR

