

PERKO®

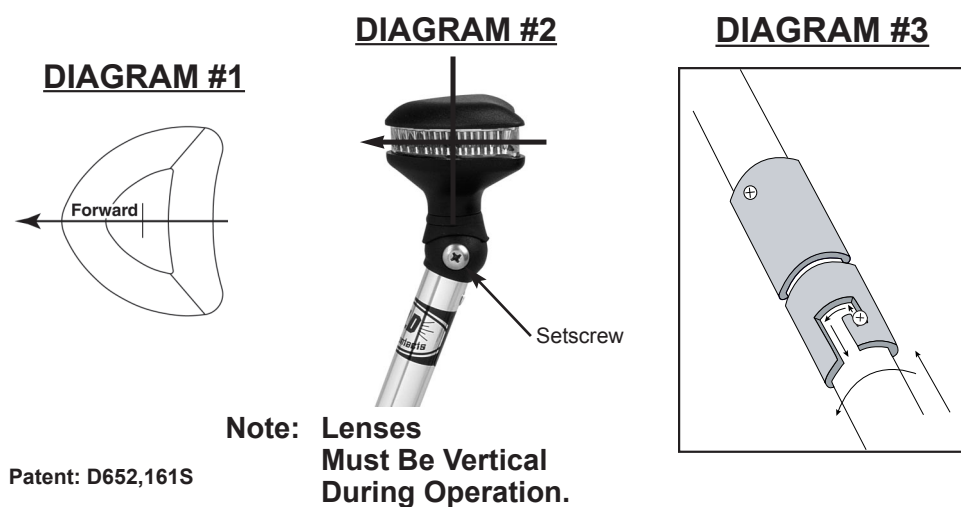
Cat. Nos. 1347 and 1349 Series
L.E.D. Reduced Glare
White All-Round Lights



The above pole lights are for use on power driven vessels under 20 meters (65.6 ft.) in length operating on a nominal 12 volt system. Each must be used with a separately mounted base (such as PERKO figure numbers 1045, 1046, 1047, 1059 or 1060). When properly installed, these replacement poles will comply with '72 COLREGS and the U. S. Inland Rules.

MOUNTING INFORMATION (Read all instructions before proceeding.)

- 1). For information on proper light selection, positioning and configuration, refer to A.B.Y.C. Standard A-16 (1), the '72 COLREGS, and the U.S. Inland Rules (2).
- 2). The center of the lens of white all-round pole lights must be located at least 1 meter (39.4") above the center of the lenses of either the bi-color or the red and green side lights on the vessel. Be sure to use a light with a sufficiently long pole to meet this requirement.
- 3). Horizontal rotation of these lights is unimportant, as all-round lights have 360° horizontal arc of visibility. However, aesthetically, mount the light as shown in Diagram #1.
- 4). IMPORTANT: "Reduced Glare" globes must be mounted so that they are aligned horizontally when the boat is at rest in the water in a "static floating position". See Diagram #2 in order to assure compliance with technical details of the regulation and employ the "Reduced Glare" feature of the series optical system. To adjust horizontal position of globe, install pole light into base on boat while in its static floating position. Loosen setscrew at top of pole. Adjust position of globe (relative to water) so that it is aligned horizontally. Tighten setscrew to hold globe in that position.
- 5). L.E.D. lights are polarity sensitive. If the light does not operate after installation, the base wiring may need to be reversed. Remove the base and reverse the wire connections.
- 6). These replacement poles will fit a large number of base styles produced by various manufacturers. The differences involve screw positions and the use of a collar. Before attempting to install poles, identify the style of base currently on the boat.
- 7). To store folding lights (Series 1349) grasp both sections of pole and push towards center coupling (See Diagram #3). While pushing, rotate either until screw is positioned in open slot. Gently pull poles apart until they are clear of each other, fold one pole onto the other with wire passing through slot. NOTE: The wire will remain connected to both poles and will be damaged if too much pulling force is applied.



Patent: D652,161S

POLE LIGHT COLLAR & SCREW POSITION CONFIGURATIONS USED IN COMMON BASE TYPE APPLICATIONS:

A). OLD STYLE PERKO BASES

Figure Nos. 1023 & 1026 (With Locking Ring on the Base)

One screw in bottom position. No Collar. Remove top screw and cover hole with silver disk included in package.

B). CURRENT STYLE PERKO BASES WITH ECCENTRIC COLLARS

Perko Series 1045, 1046, 1047, 1059 & 1060 and Some Imported Bases

One screw in bottom position. Eccentric Collar (check base to determine collar type – threaded or eccentric). Remove top screw and cover hole with silver disk included in package.

C). CURRENT STYLE PERKO BASES WITH THREADED COLLARS

Perko series 1048 and special versions of Perko Series 1045 bases

One screw in bottom position. Threaded Collar (check base to determine collar type – threaded or eccentric). Remove top screw and cover hole with silver disk included in package. NOTE: spacer is needed under collar when light is used with special 1045 style base with threaded collar

D). MANY BASES MADE BY OTHER MANUFACTURERS

Determine screw position by inserting pole into base. Application may require one screw in either the top or bottom position or it may require the use of both screws. Likewise, the application may not require a collar or may require the use of a threaded or eccentric collar. Fit pole into base to determine need. If necessary, move screw to correct position. If a screw hole is left unused, cover the unused screw hole with the silver colored self-adhesive disk after removing the backing paper.

Note: These lights use white L.E.D.'s and therefore are not serviceable. The lens/globe is permanently sealed and cannot be opened.

L.E.D.'s Offer:

- Long Life
- Improved Corrosion Resistance
- Vibration Resistance
- Low Operating Temperatures
- Low Power Drain
- Sealed from the Environment

FIGS. 1347 & 1349



Stealth Series

The L.E.D. Pole Light

Patent: D652,161S

Check out the collection of boat navigation lights we offer.