

# PERKO®



## Cat. No. 1211, 1212, 1421, 1422 Series Bi-Color / Utility Lights

The 1211 and 1212 series lights are designed for use on sail or power driven vessels under 12 meters (39.4 ft.) in length operating on a nominal 12 volt system.

The 1421 and 1422 series lights are designed for use on power driven vessels under 20 meters (65.6 ft.) in length operating on a nominal 12 volt system.

In order to comply with the '72 COLREGS and the U.S. Inland Rules, the following must be adhered to:

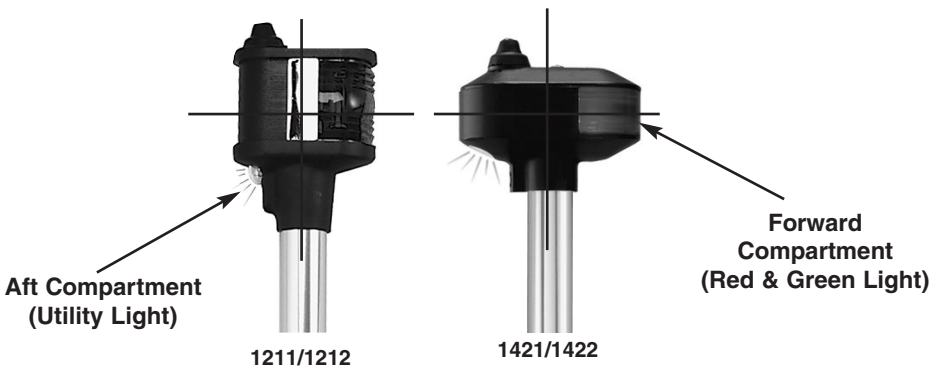
### MOUNTING INFORMATION

Read all instructions before proceeding.

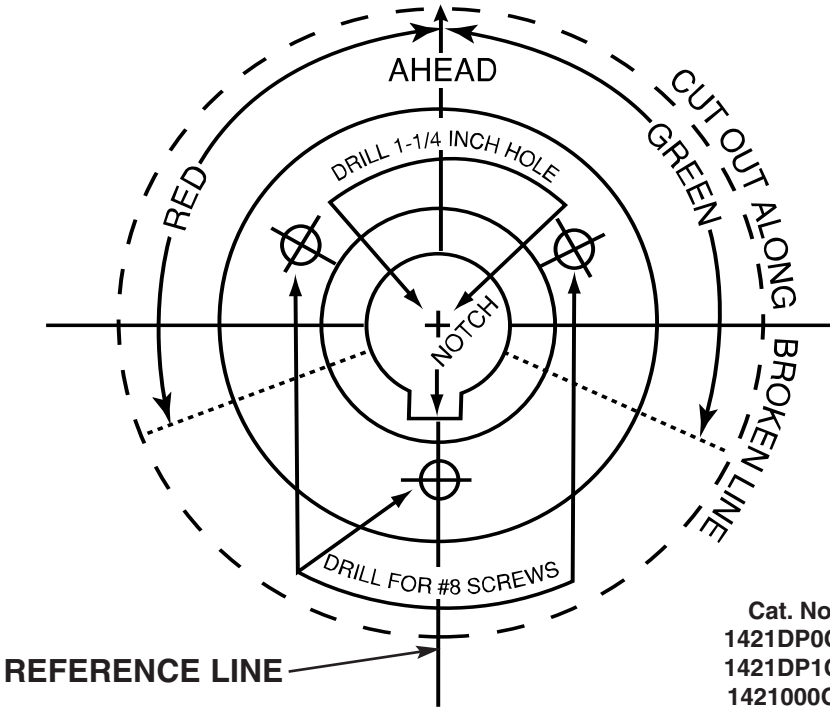
- 1). For proper light selection, positioning and configuration, refer to A.B.Y.C. Standard A-16\*, the '72 COLREGS\*, and the U.S. Inland Rules\*.
- 2). **IMPORTANT:** Top of light must be vertical during operation (See Diagram #1).
- 3). Setup for Operation: Insert pole in base, making sure alignment screw in pole slides into the notch in the base. Push pole down until it engages the electrical connector and lock by rotating the the collar clockwise. Remove and store the pole light and replace weatherproof cover on base when not in use.
- 4). Lamp replacement:  
Forward Compartment Bi-Color Light: 0071DP0CLR (12V, 10W)  
Aft Compartment Utility Light: 0064000CLR

### DIAGRAM #1

NOTE: Top of light must be vertical during operation.

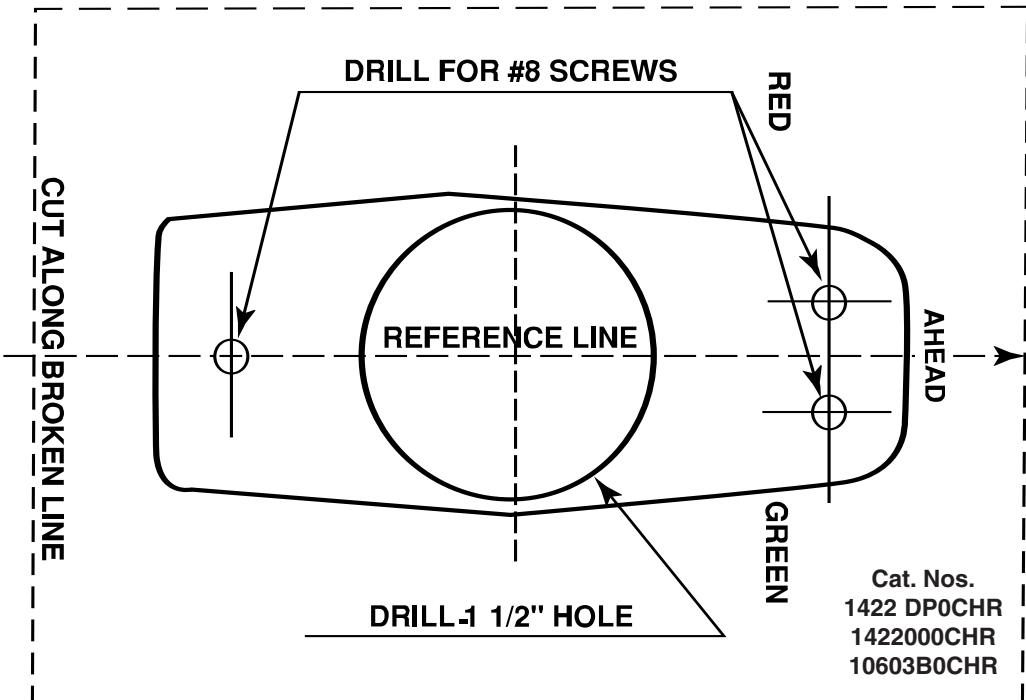


**Fig. 1421**  
**MOUNTING TEMPLATE**



Cat. Nos.  
1421DP0CHR  
1421DP1CHR  
1421000CHR  
1421001CHR  
1045300DP

**Fig. 1422**  
**MOUNTING TEMPLATE**



Cat. Nos.  
1422 DP0CHR  
1422000CHR  
10603B0CHR