

**BATTERY SWITCHES**  
**INSTALLATION AND OPERATING INSTRUCTIONS**

For use with alternators and generators rated 6-50 V.D.C. switch rating: 250 amperes continuous, 360 amperes intermittent. Locate switch to keep battery cables short as possible.

All wiring to the switch shall be performed by a QUALIFIED MARINE ELECTRICIAN, and in accordance with the "Fire Protection Standard For Motor Craft", N.F.P.A.\* No. 302, The Standards of the American Boat and Yacht Council, Inc.\*, and the U.S.C.G.\* Safety Standards for Boat Electrical Systems (33 CFR 183).

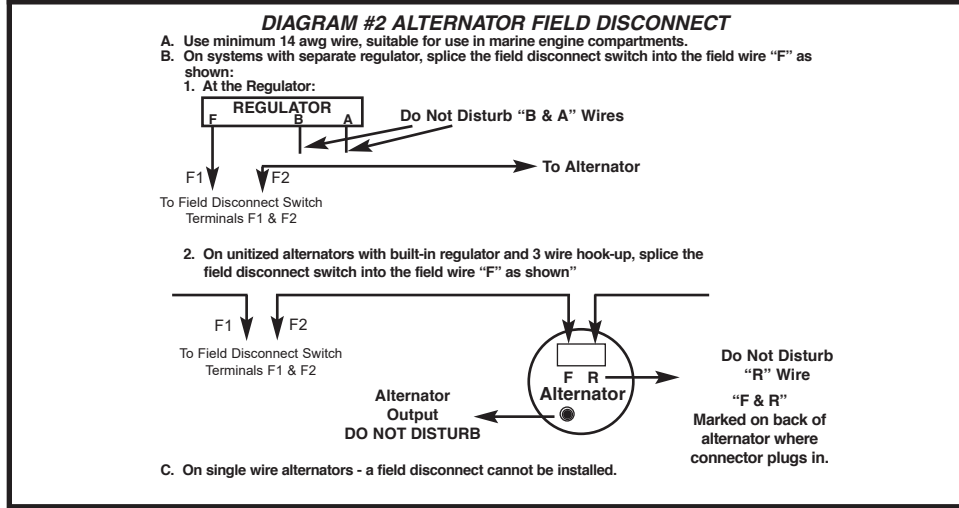
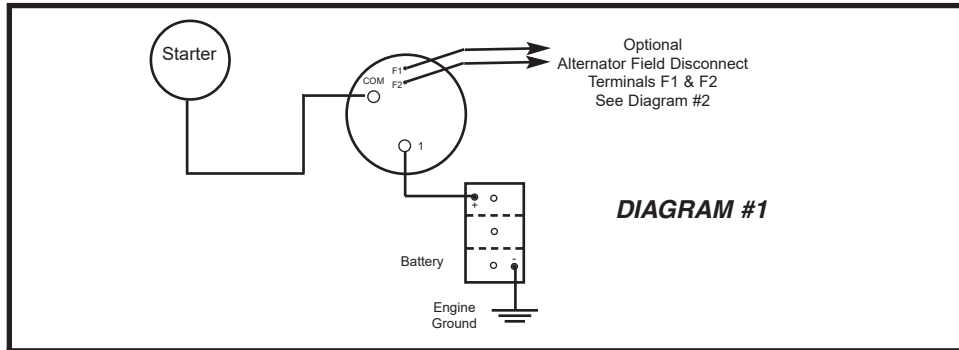
**CAUTION:** Always STOP engines before switching to "OFF" position. Erratic operation, particularly after very long periods of idleness, can be cleared by rapidly switching back and forth briskly several times with out any load connected.

- NOTE:**
- (1) Locate switch to keep battery cables short as possible.
  - (2) If switch is to be mounted in an area subject to corrosion, it is recommended that a liquid electrical coating be applied to the terminal connections.
  - (3) Terminal stud size is 5/16 inch. Torque terminal nuts to 10 ft-lbs.
  - (4) Mounting screw size #10 pan head or round head. Do not over-tighten screws to prevent deforming the switch.

**OPTIONAL ACCESSORIES**

- (1) Key Lock - Switch can be locked only in the "OFF" position. Key can be removed in either the locked or unlocked position.
- (2) Alternator Field Disconnect - used to break the field current if the battery switch is inadvertently turned to the "OFF" position with the engine running. Hook-up instructions and applicability are explained in the diagram below.
- (3) Optional cable spacer (Dealer Pack: 0462DP0RED or Bulk Pack: 0462000RED) available for use with large or heavy-duty cables, when additional space is required between terminals and mounting surface.

The following diagrams illustrate typical installations.



**9600 Series Battery Disconnect Switch Installation Instructions**

**Fig 9601**  
**Disconnect Switch**



**Fig 9602**  
**Disconnect Switch with Key Lock**



**Fig 9603**  
**Disconnect Switch with Alternator Field Disconnect**



**Fig 9604**  
**Disconnect Switch Key Lock and Alternator Field Disconnect**



**Optional Cable Spacer**  
**Fig. 0462 Spacer**  
 For use with large cables or when additional clearance to the mounting surface is required